

ELETTROMANDRINI  
ELECTROSPINDLES



## Componenti ad **alta tecnologia** per produttori di macchine utensili.

--  
**High-tech components** for machine tool manufacturers.

Hiteco è specializzata nella progettazione e realizzazione di componenti elettromeccanici industriali ad alta tecnologia per le macchine utensili.

**Elettromandrini A.T.C., elettromandrini M.T.C., teste birotative, teste di foratura ed aggregati.**

--  
Hiteco is specialized in design and manufacture of high technology industrial electromechanical components for machine tools. **A.T.C. electrospindles, M.T.C. electrospindles, birotary heads, boring units and aggregates.**



Hiteco si propone sul mercato internazionale con un'ampia gamma di prodotti per la lavorazione di: **legno, plastica, materiali avanzati, vetro, pietra e metallo.**

--  
Hiteco offers a wide range of products on international market for **wood, plastic, advanced materials, glass, stone and metal processing.**



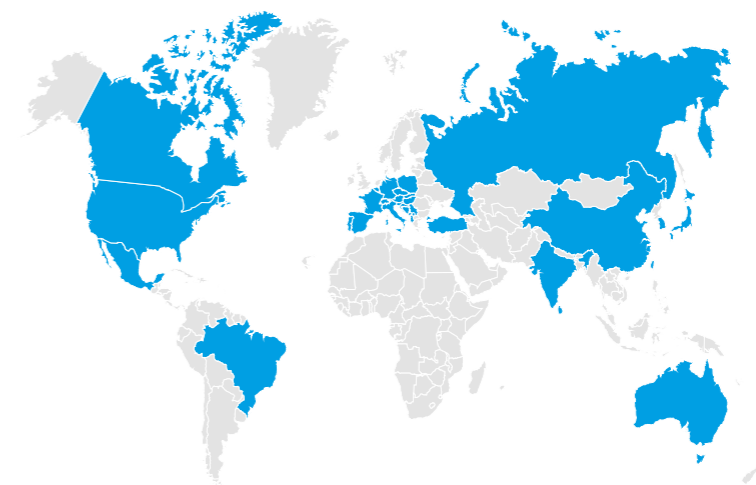
Hiteco nasce nel 1977 come divisione interna di **SCM Group**, azienda leader mondiale nella costruzione di macchine utensili per la lavorazione di una vasta gamma di materiali, realizzando un percorso di crescita esponenziale. Diventa nel 2008 **un'unità di profitto per servire il mercato terzi**. Oggi realizza prodotti di riferimento nel mercato dei componenti, diventando uno tra i più importanti player mondiali nel settore.

--  
Hiteco founded in 1977 as an internal division of the **SCM Group**, leading company in machine tools construction for processing a wide range of materials, had an increasingly exponential growth. In 2008 it become **a profit unit for external customers**. Today Hiteco offers key products for the components market, becoming one of the most important world players in the sector.



## Una **presenza capillare** per un **servizio best-in-class e worldwide.**

--  
**A capillary presence** for a **best-in-class** and **worldwide service.**



**La distribuzione capillare** dell'azienda risponde alla volontà di Hiteco di essere vicina al cliente con la presenza sul territorio di **tecnici specializzati** che sono garanzia di una risposta estremamente rapida e professionale: non solo per ridurre fermi macchina e problemi alla produzione, ma anche per creare valore aggiunto con la proposta di soluzioni efficaci ed innovative. Questa attenzione, oltre ai ridotti tempi di consegna, è uno dei motivi che ha portato Hiteco ad avere la più alta **customer satisfaction** nel mercato internazionale.

--  
**The widespread distribution** of the company responds to the desire of Hiteco to be close to the customer with the presence of **specialized technicians** on the territory who guarantee an extremely rapid and professional response: not only to reduce machine downtimes and production problems, but also to create added value with the proposal of effective and innovative solutions. Such care, in addition to reduced delivery times, is one of the reason that led Hiteco to have the highest **customer satisfaction** on the international market.



# INDICE INDEX



## INDICE POTENZE / POWER INDEX

POWERTECH	POWERTECH 200	POWERTECH 250	POWERTECH 300 COMPACT	POWERTECH 300	POWERTECH 400 HS	POWERTECH 400	POWERTECH 500	POWERTECH 600
POWER @RPM - MAX SPEED								
4/12 24	p. 9		p. 15					
5.5/6 20 (HT)						p. 23		
5.5/12 24			p. 15	p. 17				
6.5/12 36 (HS)		p. 11						
6.5/12 40 (HS)		p. 12						
6.6/12 24				p. 17				
7.5/6 24 (HT)						p. 23		
8/9 18 (HT)							p. 29	
8/12 24				p. 18				
8/12 28 (HS)					p. 21			
8/12 36 (HS)		p. 11						
8/12 40 (HS)		p. 12						
8.5/6 24 (HT)						p. 24		
8.5/12 24						p. 24		
9/6 24 (HT)						p. 26		
9.5/12 24				p. 19				
10/11 24						p. 25		
11/6 10 (HT)								p. 35
11/6 24 (HT)						p. 26		
11/12 20							p. 30	
12/6 18 (HT)							p. 33	
12/12 24						p. 25		
13/7 15 (HT)							p. 29	
13/12 24						p. 27		
16/12 24						p. 27		
18/6 12 (HT)								p. 35
18/12 20							p. 33	

HS= HIGH SPEED  
HT= HIGH TORQUE

INDICE POTENZE / POWER INDEX

ROBOTECH	ROBOTECH QX	ROBOTECH QX HS	ROBOTECH PX-HX	ROBOTECH HX 3C	ROBOTECH HD	ROBOTECH QT	ROBOTECH HT	ROBOTECH QM
5.6/18 20					p. 51			
8/15 36 (HS)		p. 41						
8/15 40 (HS)		p. 41						
8.5/12 24	p. 37							
10/7 24 (HT)			p. 43	p. 47				
10/12 24	p. 37							
11/12 24	p. 38							
12/12 24			p. 43	p. 47				
13/6 16 (HT)						p. 53		
15/12 24			p. 44	p. 48				
18/12 24			p. 44	p. 48				
20/10 24			p. 45	p. 49				
25/7 16 (HT)						p. 53		
25/10 24							p. 55	
30/6 13 (HT)								p. 57

CUSTOMTECH	CUSTOMTECH KX	CUSTOMTECH MG
9/6 15		p. 63
13.5/6 15		p. 63
30/7.5 12		p. 64
31/4.5 15	p. 59	
32/4.5 17	p. 59	
32/4.5 24	p. 60	

MULTITECH	MULTITECH MA/ML	MULTITECH QN	MULTITECH MQH	MULTITECH S	MULTITECH XS
0.19/12 12				p. 79	
0.35/12 12					p. 83
0.55/12 12					p. 83
0.65/12 12					p. 84
1.5/12 12				p. 79	
1.8/12 12				p. 80	
4/14 24					
4.5/18 18		p. 73			
4.5/18 24		p. 73			
6/18 18		p. 74			
6/18 24		p. 74			
7.5/12 24	p. 67 - 69				
8/6 9			p. 77		
9.5/12 24	p. 71				
10/12 24	p. 69				
13/6 9			p. 77		

ADDITIONAL EQUIPMENT	
C-AXIS FOR POWERTECH 300-400	p. 86
REFERENCE SLEEVE	p. 86
TOOL HOLDER	p. 87
TOOL FINGER	p. 87
HEAT EXCHANGER	p. 87

IDENTIFICAZIONE ELETTROMANDRINI / ELECTROSPINDLE IDENTIFICATION KEY

Example **QE IF 10/TI 24 63F NC CB EN BT OQ IS**

MODELLO (DIMENSIONE CARCASSA) / MODEL (HOUSING DIMENSION)	RAFFREDDAMENTO / COOLING TYPE
QD	102 X 119,5 mm
QE	110 X 111 mm
QF	130 X 140 mm
QM	150 X 160 mm
QX	215 X 245 mm, 230x230 mm
PX	130 X 130 mm
HX	150 X 150 mm
QT	150 X 150 mm
HT	150 X 150 mm
HD	130 X 130 mm
KX	Ø 202 mm
ML/MA	Ø 158, Ø 166, 135 x 137, 157 x 165
MG	200 X 200 mm
QN	102 X 119,5 mm
MQHI	205 X 175 mm
XS	70 X 65 mm

**POTENZA NOMINALE (S1) @ VELOCITÀ / RATED POWER (S1) @ SPEED**  
MAX POTENZA @ VELOCITÀ / MAX POWER @ SPEED

**VELOCITÀ MAX / MAX SPEED**

ATTACCO UTENSILE / TOOL HOLDER	NASO MANDRINO / SPINDLE NOSE	CONNESSIONE ELETTRICA / ELECTRIC CONNECTION	ENCODER
63F = HSK63F	NC= NASO CORTO/SHORT NOSE	CB= CONNESSIONE BASE/ BASIC CONNECTION	ES= ENCODER 1 VPP (SYNUSOIDAL WAVE)
I30 = ISO30	NL= NASO LUNGO/LONG NOSE	CC= CONNESSIONE CIRCOLARE/ CIRCULAR CONNECTION	EN= ENCODER TTL (SQUARE WAVE)
40E = HSK40E	CH = COMPACT SHORT NOSE	PP= CONNESSIONE RAPIDA/ PLUG AND PLAY CONNECTION	<b>VOLTAGGIO / VOLTAGE</b>
32E = HSK32E	LH = COMPACT LONG NOSE	SC= SENZA CONNETTORE/ FLYING CABLE	BT= BITENSIONE / DUAL VOLTAGE 220V/380V
63E = HSK63E			220 V
80F = HSK80F			
63A = HSK63A			
I40 = ISO40			
ER32			
ER40			
ER25			
ALBERO/SHAFT, D=12, 16, 30, 40, 50			

**OPTIONAL**

OQ=OIL MIST+MQL (Minimal Quantity Lubrication)
AT= AIR TOOL
OM= OIL MIST
CTS= LUBRIFICAZIONE CTS/ COOLANT THROUGH THE SHAFT

**ALTRE VARIANTI/ OTHER VARIANTS**

SENSORE DI VIBRAZIONE/ VIBRATION SENSOR	
SENSORE DI TEMPERATURA/ TEMPERATURE SENSOR	
MONITORAGGIO TEMPERATURA CUSCINETTI/ BEARING TEMPERATURE MONITORING	
MISURATORE DI VELOCITÀ/ SPEED MONITORING	

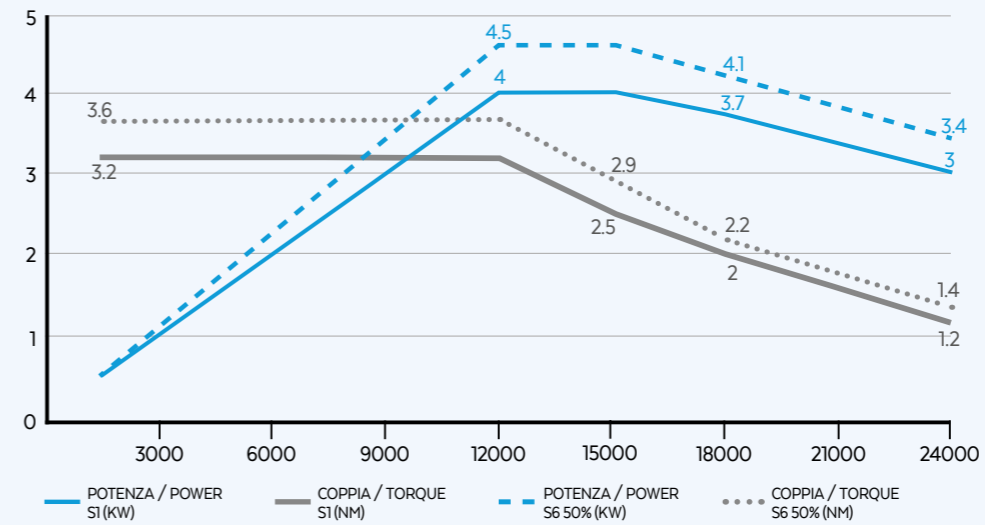
# POWERTECH 200



SUITABLE FOR PROCESSING WOOD, PLASTIC AND COMPOSITE MATERIALS  
 REDUCED SECTION AND FIXING FLEXIBILITY (AVAILABILITY ON 2 SIDES)  
 ALSO AVAILABLE WITH HSK 63 F TAPER AND DOUBLE VOLTAGE  
 CERAMIC BEARINGS  
 SIMPLE MAINTENANCE WITH SPINDLE KIT MANAGEMENT

QD-1F 4/12 24

### PRESTAZIONI / PERFORMANCES



### OPZIONALI / OPTIONALS

- Circular connector CC
- Bearings temperature monitoring
- Dual voltage 220V-380V
- Speed monitoring
- Plug & Play
- Quick connection PP
- Vibration sensor

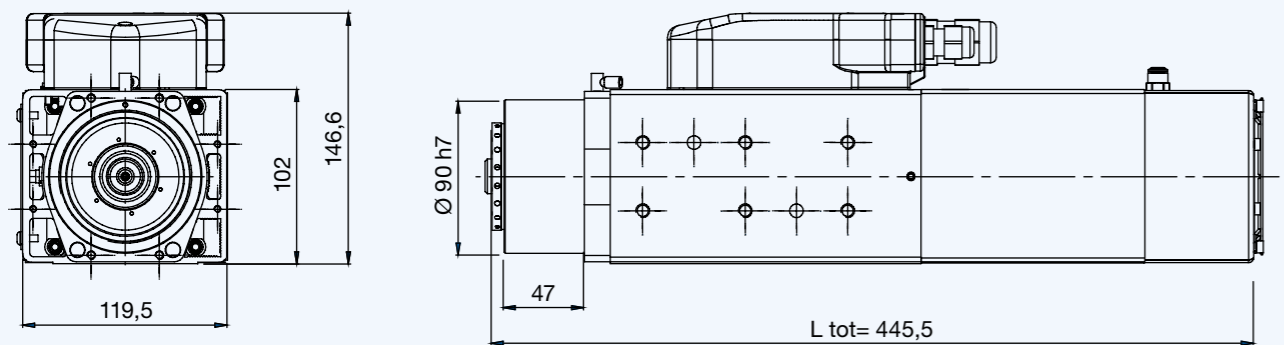
### SPECIFICHE TECNICHE / TECHNICAL SPECIFICATIONS

- S1-S6 kW 4/4.5
- S1-S6 A 9/10.7
- Pol es 4
- S1-S6 Nm 3.2/3.6
- Volt 380
- Supply inverter
- rpm 24000
- kg 18

### EQUIPAGGIAMENTO / EQUIPMENT

- HSK 63F
- Electrofan cooling
- Double effect pneumatic cylinder
- Automatic tool changer
- Ceramic ball bearings
- COM-PRESSED AIR
- Pressed air cooling
- Grease lubrication
- Sensors s1, s2, s3
- Labyrinth with air seal
- ISO 30
- Taper cleaning

### LAYOUT HSK 63F CB



### ALTRI LAYOUT / OTHER LAYOUTS

	ΔL	L tot
ISO 30	+6,9 mm	452,40 mm
Aria compressa / Air compressed	ISO30= -29,1 mm	416,4 mm
	HSK63F= -36,0 mm	409,5 mm

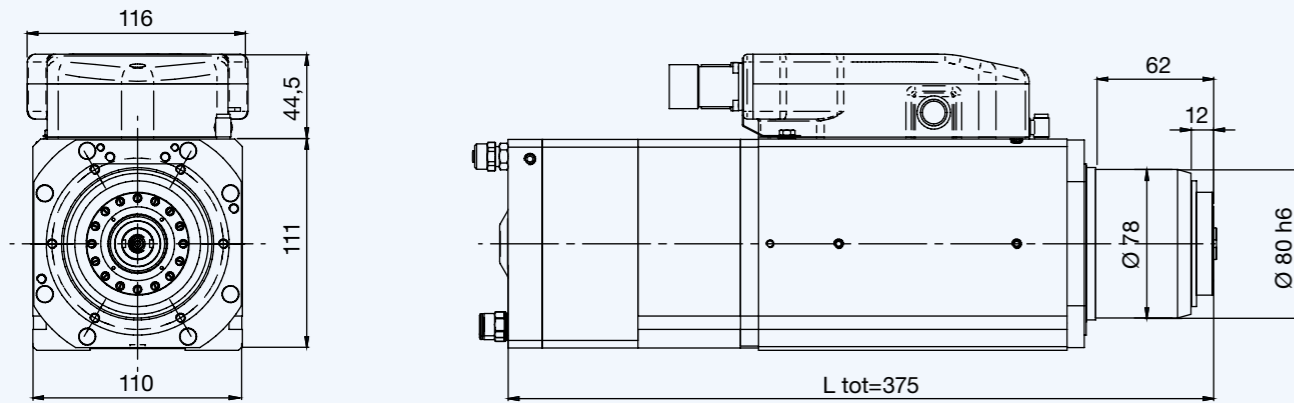


# POWERTECH 250

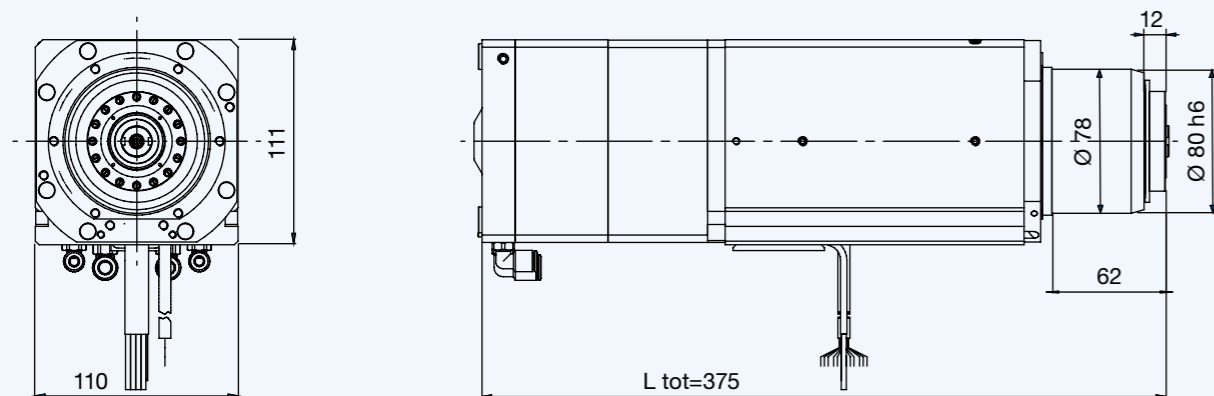


SUITABLE FOR PROCESSING ALUMINIUM, PLASTIC AND LIGHT ALLOYS.  
VERY POWERFUL WITH HIGH NUMBER OF REVS UP TO 40K RPM  
5 BEARINGS FOR HIGH STIFFNESS  
AVAILABLE WITH LAYOUT FOR 3 AND 5 AXES

## LAYOUT HSK40E / HSK32E CC



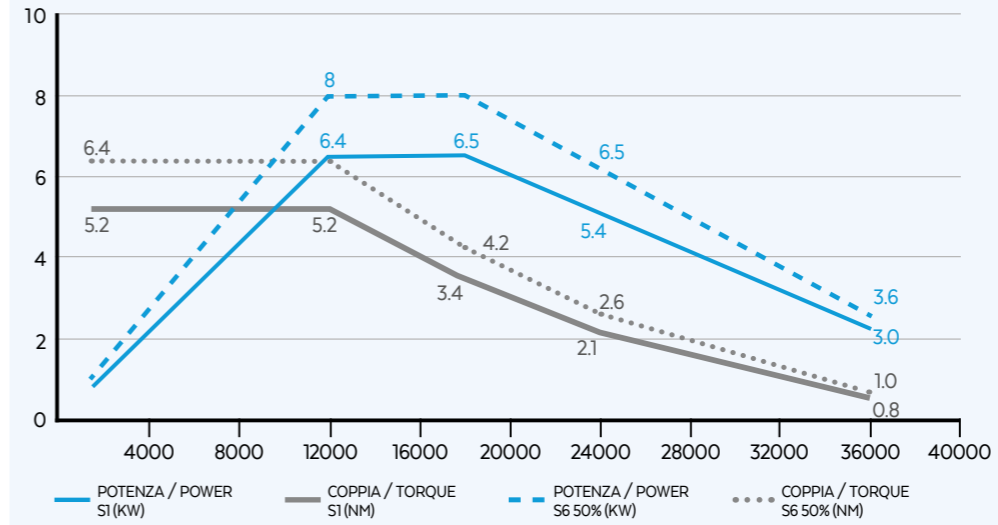
## LAYOUT HSK40E / HSK32E SC



## QD-2 6.5/12 36

HIGH SPEED

### PRESTAZIONI / PERFORMANCES



### OPZIONALI / OPTIONALS

- Encoder TVpp or TTL
- Bearings temperature monitoring
- Quick connection PP
- Speed monitoring
- Vibration sensor

### SPECIFICHE TECNICHE / TECHNICAL SPECIFICATIONS

- S1-S6 kW 6.5/8
- S1-S6 A 20.5/23
- Pol es 4
- S1-S6 Nm 5.2/6.4
- Volt 380
- Supply inverter
- rpm 36000
- kg 17

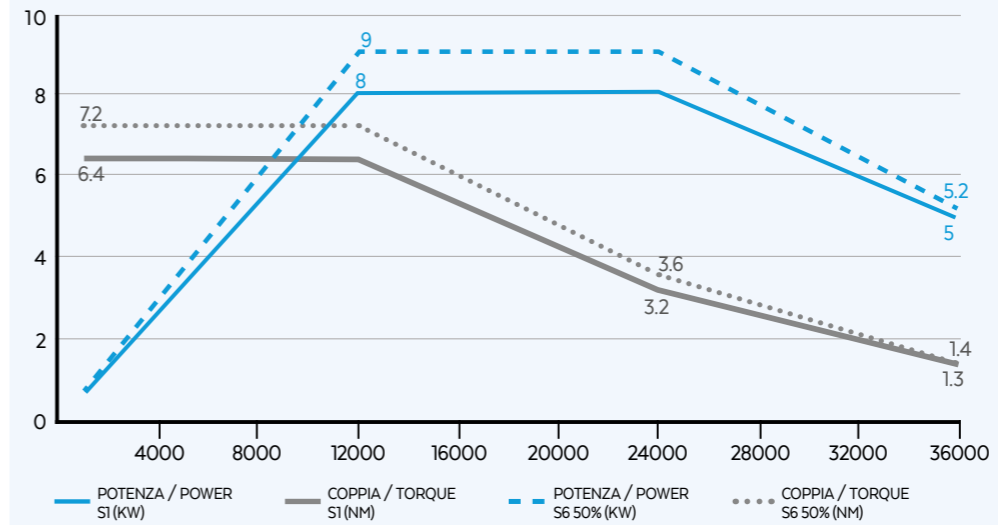
### EQUIPAGGIAMENTO / EQUIPMENT

- HSK 40E
- Liquid cooling
- Double effect pneumatic cylinder
- Automatic tool changer
- Ceramic ball bearings
- Labyrinth with air seal
- Grease lubrication
- Sensors s1, s2, s3, s5
- Circular male connector
- Taper cleaning

## QD-2 8/12 36

HIGH SPEED

### PRESTAZIONI / PERFORMANCES



### OPZIONALI / OPTIONALS

- Encoder TVpp or TTL
- Bearings temperature monitoring
- Quick connection PP
- Speed monitoring
- Vibration sensor

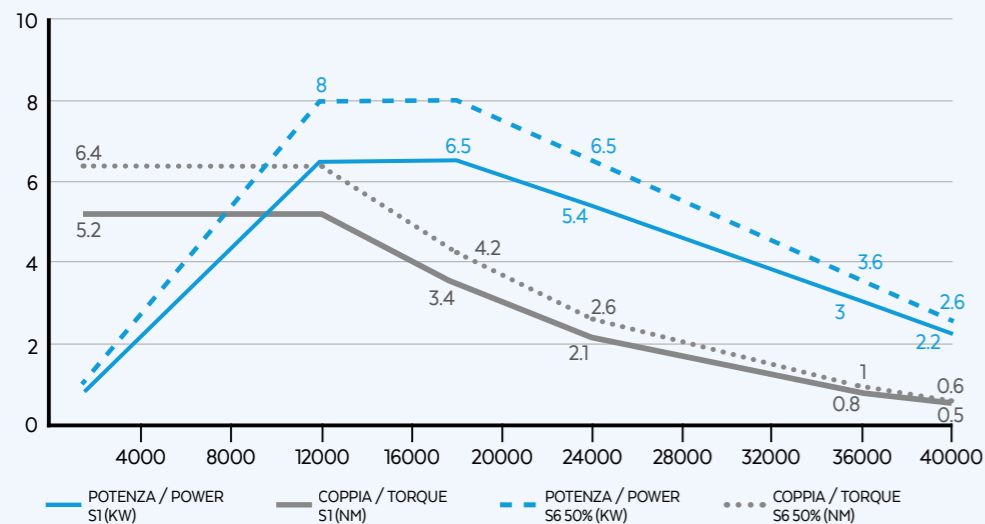
### SPECIFICHE TECNICHE / TECHNICAL SPECIFICATIONS

- S1-S6 kW 8/9
- S1-S6 A 24/26
- Pol es 4
- S1-S6 Nm 6.4/7.2
- Volt 380
- Supply inverter
- rpm 36000
- kg 17

### EQUIPAGGIAMENTO / EQUIPMENT

- HSK 40E
- Liquid cooling
- Double effect pneumatic cylinder
- Automatic tool changer
- Ceramic ball bearings
- Labyrinth with air seal
- Grease lubrication
- Sensors s1, s2, s3, s5
- Circular male connector
- Taper cleaning

PRESTAZIONI / PERFORMANCES



OPZIONALI / OPTIONALS

- Encoder 1Vpp or TTL
- Bearings temperature monitoring
- Quick connection PP
- Speed monitoring
- Vibration sensor

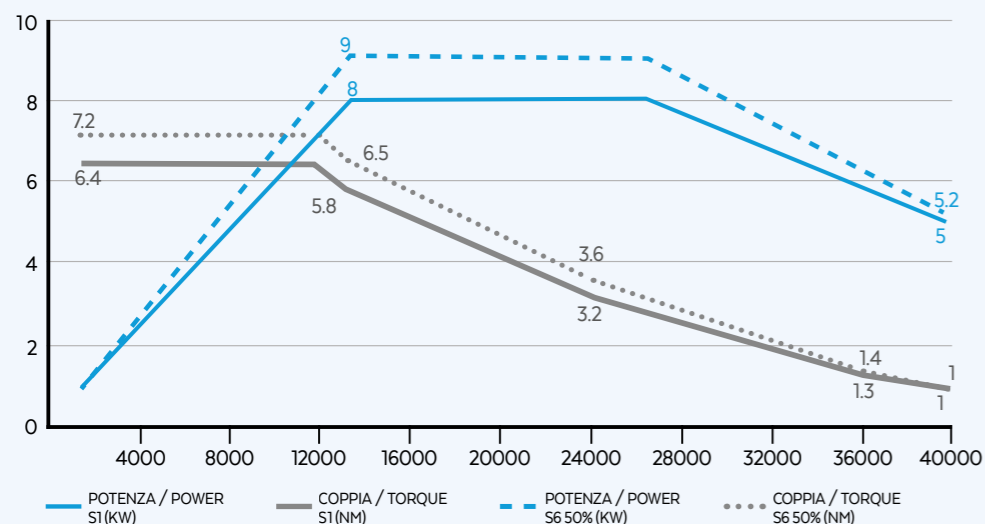
SPECIFICHE TECNICHE / TECHNICAL SPECIFICATIONS

- Power: 6.5/8 kW
- Current: 20.5/23 A
- Pol es: 4
- Supply: inverter
- Speed: 40000 rpm
- Weight: 17 kg
- Voltage: 380 Volt

EQUIPAGGIAMENTO / EQUIPMENT

- HSK 32E
- Liquid cooling
- Double effect pneumatic cylinder
- Automatic tool changer
- Ceramic ball bearings
- Labyrinth with air seal
- Grease lubrication
- Sensors s1, s2, s3, s5
- Circular male connector
- Taper cleaning

PRESTAZIONI / PERFORMANCES



OPZIONALI / OPTIONALS

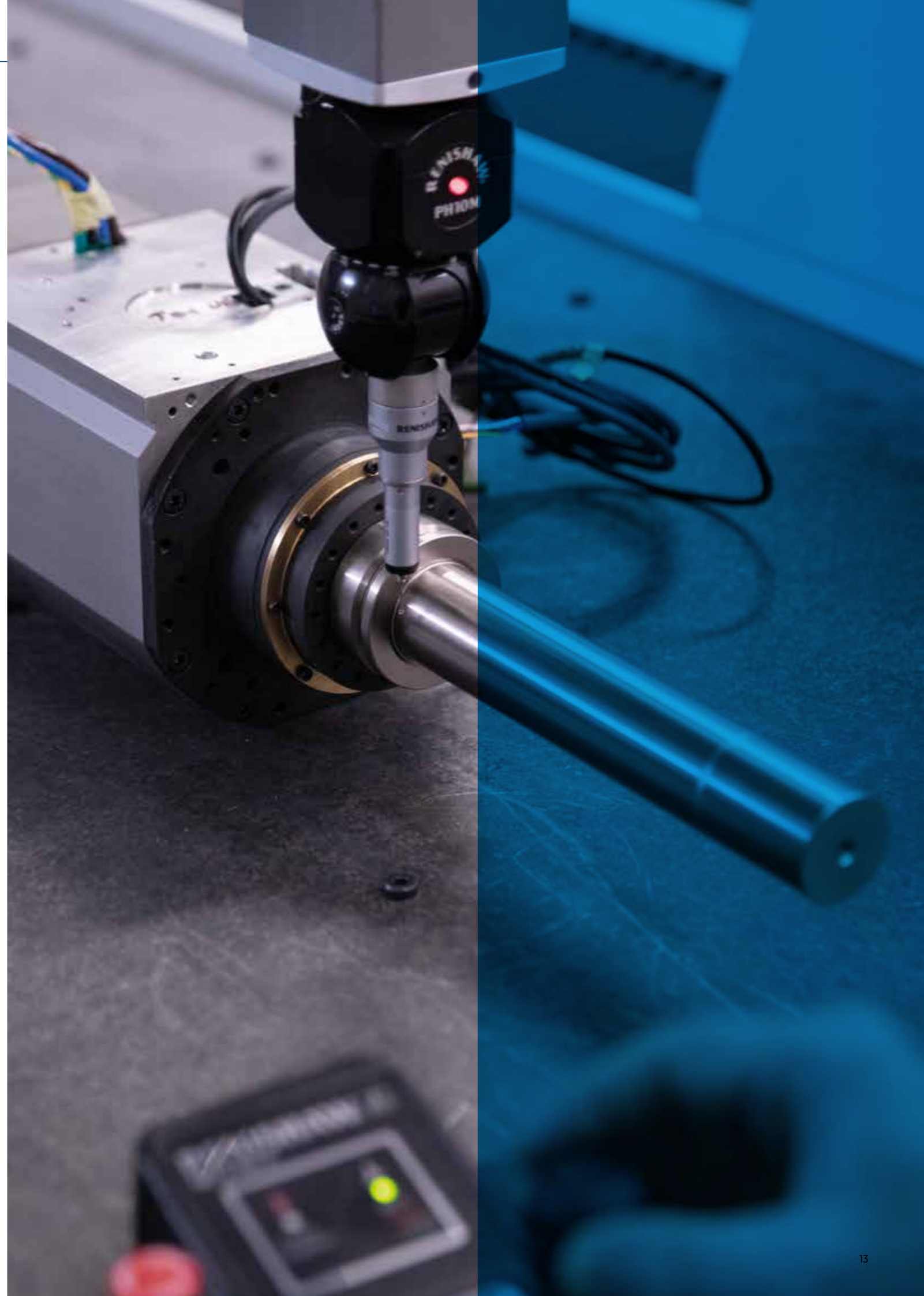
- Encoder 1Vpp or TTL
- Bearings temperature monitoring
- Quick connection PP
- Speed monitoring
- Vibration sensor

SPECIFICHE TECNICHE / TECHNICAL SPECIFICATIONS

- Power: 8/9 kW
- Current: 24/26 A
- Pol es: 4
- Supply: inverter
- Speed: 40000 rpm
- Weight: 17 kg
- Voltage: 380 Volt

EQUIPAGGIAMENTO / EQUIPMENT

- HSK 32E
- Liquid cooling
- Double effect pneumatic cylinder
- Automatic tool changer
- Ceramic ball bearings
- Labyrinth with air seal
- Grease lubrication
- Sensors s1, s2, s3, s5
- Circular male connector
- Taper cleaning

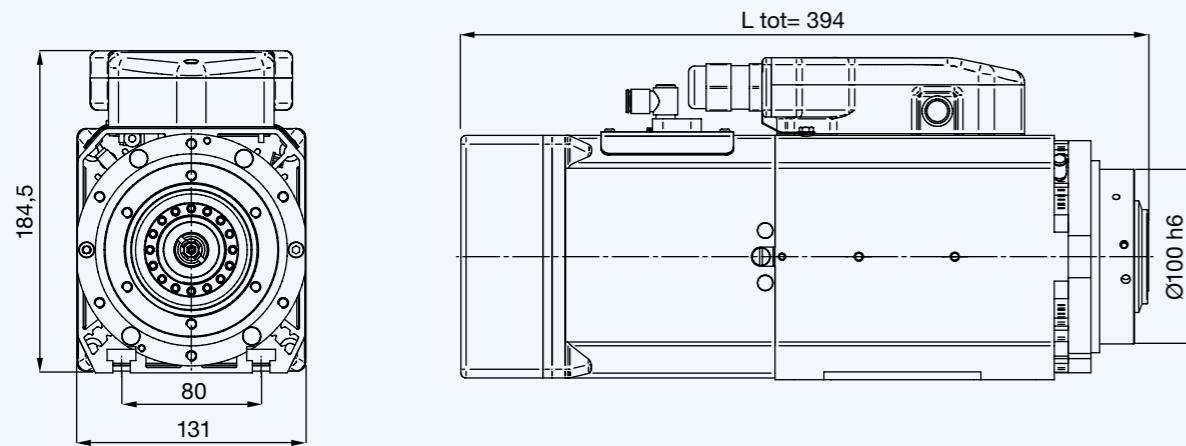


# POWERTECH 300 COMPACT



SUITABLE FOR PROCESSING WOOD, ALUMINIUM AND PLASTIC  
COMPACT LAYOUT WITH REDUCED LENGTH BULK  
ALSO AVAILABLE WITH HSK 63F TAPER  
CERAMIC BEARINGS

## LAYOUT ISO30 CB

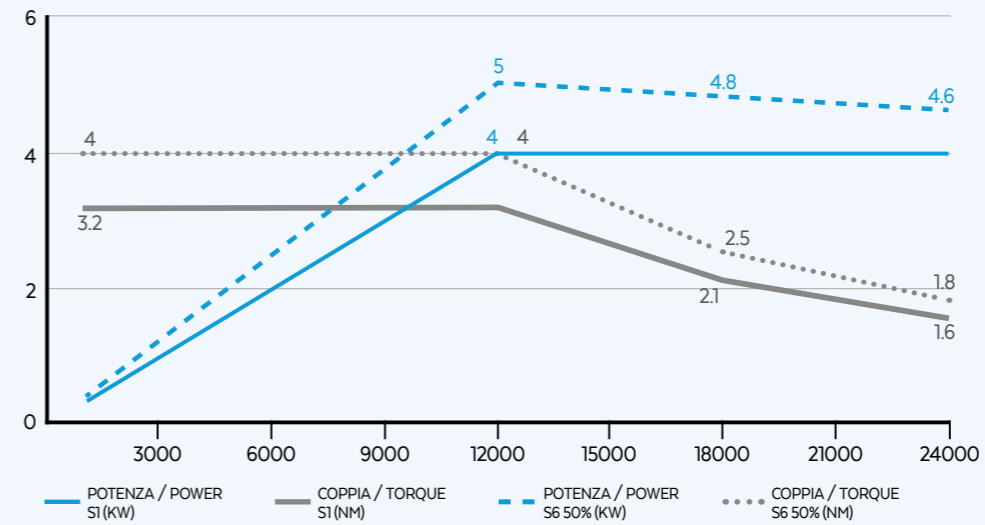


## ALTRI LAYOUT / OTHER LAYOUTS

	$\Delta L$	L tot
Aria compressa / Air compressed	ISO30= -30 mm	360 mm
	HSK63F= -30 mm	360 mm

## QE-1F 4 12/24

### PRESTAZIONI / PERFORMANCES



### OPZIONALI / OPTIONALS

- Encoder TVpp or TTL
- Bearings temperature monitoring
- Circular connector CC
- Speed monitoring
- Plug & Play
- Quick connection PP
- Vibration sensor
- Sensor s5
- Dual voltage 220V-380V

### SPECIFICHE TECNICHE / TECHNICAL SPECIFICATIONS

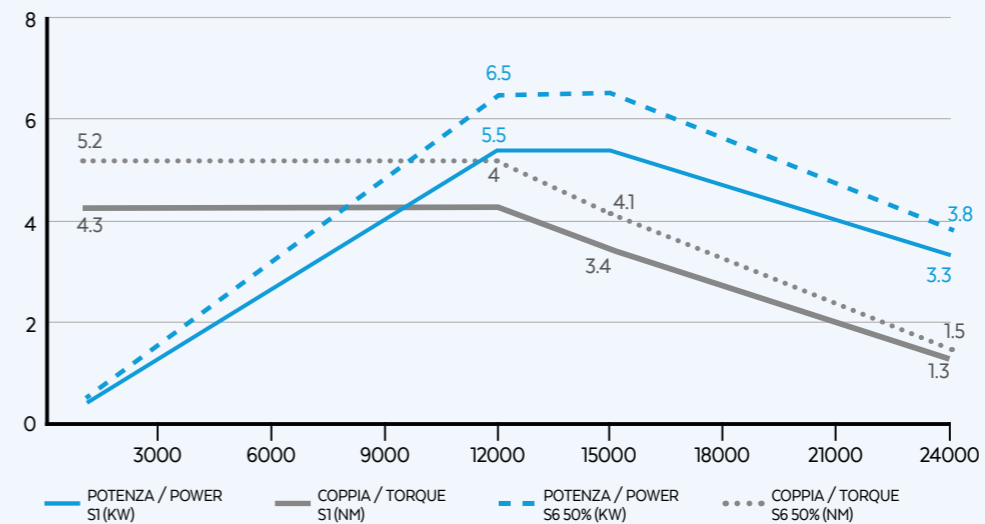
- S1-S6 kW 4/5
- S1-S6 A 8.5/10
- Pol es 2
- S1-S6 Nm 3.2/4
- Volt 380
- Supply inverter
- rpm 24000
- kg 19

### EQUIPAGGIAMENTO / EQUIPMENT

- HSK 63F
- Electrofan cooling
- Single effect pneumatic cylinder
- Automatic tool changer
- Ceramic ball bearings
- COM-PRESSED AIR Pressed air cooling
- Labyrinth with air seal
- Sensors s1, s2, s3
- Taper cleaning
- Grease lubrication
- ISO 30

## QE-1F 5.5 12/24

### PRESTAZIONI / PERFORMANCES



### OPZIONALI / OPTIONALS

- Encoder TVpp or TTL
- Bearings temperature monitoring
- Circular connector CC
- Speed monitoring
- Plug & Play
- Quick connection PP
- Vibration sensor
- Sensor s5
- Dual voltage 220V-380V

### SPECIFICHE TECNICHE / TECHNICAL SPECIFICATIONS

- S1-S6 kW 5.5/6.5
- S1-S6 A 11/13
- Pol es 4
- S1-S6 Nm 4/4.3
- Volt 380
- Supply inverter
- rpm 24000
- kg 19

### EQUIPAGGIAMENTO / EQUIPMENT

- HSK 63F
- Electrofan cooling
- Single effect pneumatic cylinder
- Automatic tool changer
- Ceramic ball bearings
- COM-PRESSED AIR Pressed air cooling
- Labyrinth with air seal
- Sensors s1, s2, s3
- Taper cleaning
- Grease lubrication
- ISO 30

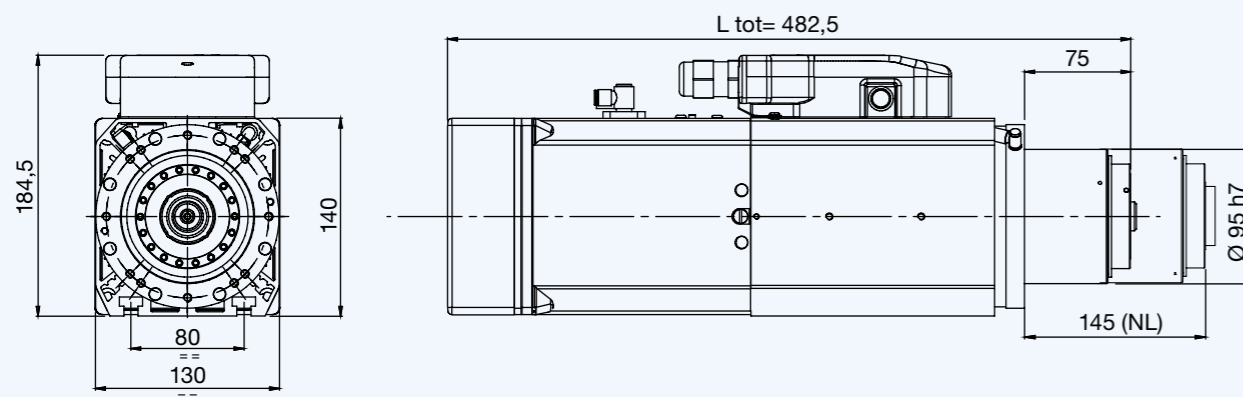


# POWERTECH 300



SUITABLE FOR PROCESSING WOOD, PLASTIC AND COMPOSITE MATERIALS  
 WIDE RANGE OF POWERS TO SATISFY ANY PROCESSING TYPE  
 AVAILABILITY OF LIQUID COOLING FOR INTENSE USAGE  
 SIMPLE MAINTENANCE WITH SPINDLE KIT MANAGEMENT

## LAYOUT HSK 63F CB

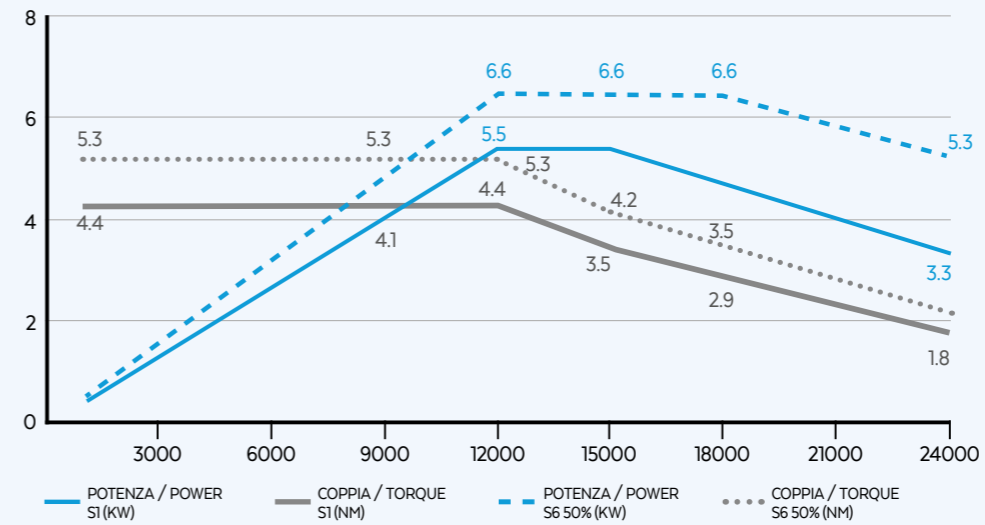


## ALTRI LAYOUT / OTHER LAYOUTS

	ΔL	L <sub>tot</sub>
ISO 30	+6,9 mm	489,4 mm
Aria compressa / Air compressed	ISO30= -44 mm	438,5 mm
	HSK63F= -44 mm	438,5 mm
Encoder (1 Vpp or TTL)	+7 mm	489,5 mm
Liquido/ Liquid	-50 mm	432,5 mm

## QE-1F 5.5/12 24

### PRESTAZIONI / PERFORMANCES



### OPZIONALI / OPTIONALS

- Encoder TVpp or TTL
- Circular connector CC
- Quick connection PP
- Long nose
- Air tool
- Bearings temperature monitoring
- C-AXES available
- Speed monitoring
- Vibration sensor
- Sensor s5

### SPECIFICHE TECNICHE / TECHNICAL SPECIFICATIONS

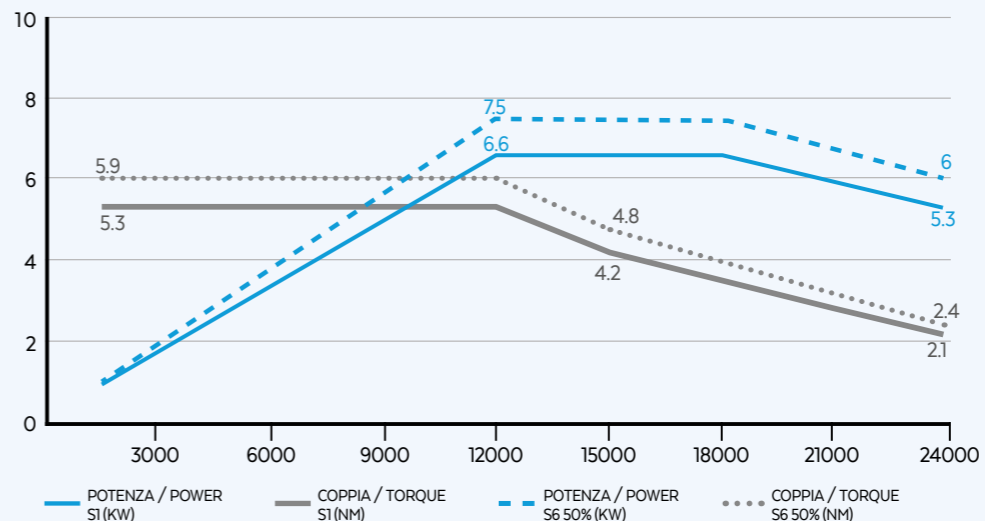
- S1-S6 kW 5.5/6.6
- S1-S6 Nm 4.4/5.3
- rpm 24000
- S1-S6 A 13.5/14.5
- Volt 380
- kg 21
- Pol es 4
- Supply inverter

### EQUIPAGGIAMENTO / EQUIPMENT

- ISO 30
- Ceramic ball bearings
- Taper cleaning
- Electrofan cooling
- COM-PRESSED AIR Pressed air cooling
- Grease lubrication
- Double effect pneumatic cylinder
- Labyrinth with air seal
- HSK 63F
- Automatic tool changer
- Sensors s1, s2, s3

## QE-1F 6.6/12 24

### PRESTAZIONI / PERFORMANCES



### OPZIONALI / OPTIONALS

- Encoder TVpp or TTL
- Circular connector CC
- Quick connection PP
- Long nose
- Air tool
- Dual voltage 220V-380V
- Bearings temperature monitoring
- C-AXES available
- Speed monitoring
- Vibration sensor
- Sensor s5

### SPECIFICHE TECNICHE / TECHNICAL SPECIFICATIONS

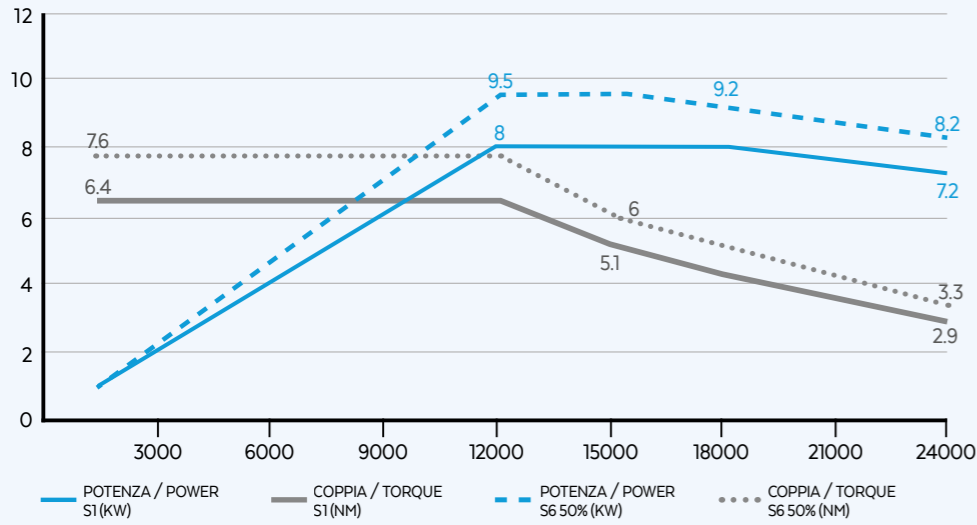
- S1-S6 kW 6.6/7.5
- S1-S6 Nm 5.3/5.9
- rpm 24000
- S1-S6 A 14.5/16
- Volt 380
- kg 21
- Pol es 4
- Supply inverter

### EQUIPAGGIAMENTO / EQUIPMENT

- ISO 30
- Ceramic ball bearings
- Taper cleaning
- Electrofan cooling
- COM-PRESSED AIR Pressed air cooling
- Grease lubrication
- Double effect pneumatic cylinder
- Labyrinth with air seal
- HSK 63F
- Automatic tool changer
- Sensors s1, s2, s3

QE-1F 8/12 24

PRESTAZIONI / PERFORMANCES



OPZIONALI / OPTIONALS

- Circular connector CC
- Bearings temperature monitoring
- Quick connection PP
- C-AXES available
- Long nose
- Speed monitoring
- Air tool
- Vibration sensor
- Sensor s5
- Dual voltage 220V-380V

SPECIFICHE TECNICHE / TECHNICAL SPECIFICATIONS

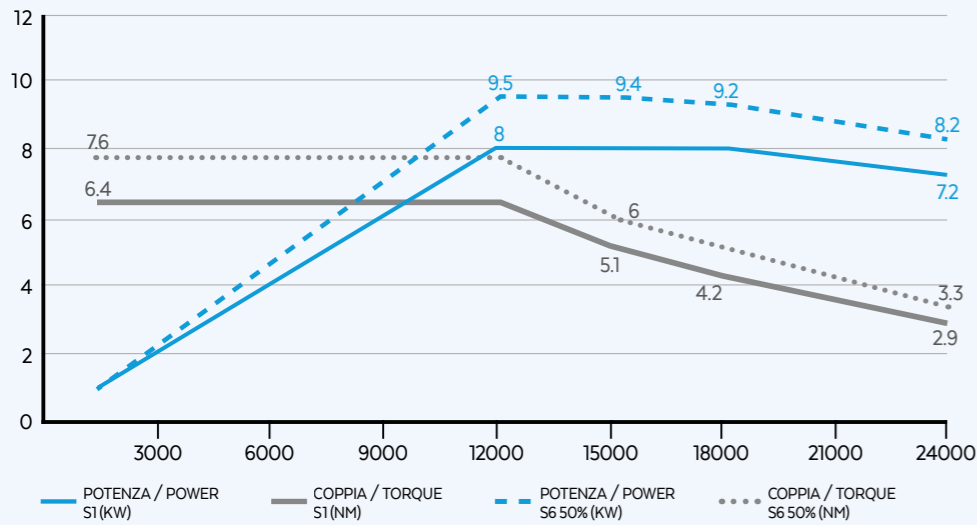
- S1-S6 kW 8/9.5
- S1-S6 A 18.5/20.5
- Poles 4
- S1-S6 Nm 6.4/7.6
- Volt 380
- Supply inverter
- rpm 24000
- kg 21

EQUIPAGGIAMENTO / EQUIPMENT

- ISO 30
- Electrofan cooling
- Double effect pneumatic cylinder
- Automatic tool changer
- Ceramic ball bearings
- COM-PRESSED AIR Pressed air cooling
- Labyrinth with air seal
- Sensors s1, s2, s3
- Taper cleaning
- Grease lubrication
- HSK 63F

QE-2 8/12 24

PRESTAZIONI / PERFORMANCES



OPZIONALI / OPTIONALS

- Encoder TVpp or TTL
- Bearings temperature monitoring
- Long nose
- C-AXES available
- Air tool
- Speed monitoring
- Quick connection PP
- Vibration sensor
- Sensor s5

SPECIFICHE TECNICHE / TECHNICAL SPECIFICATIONS

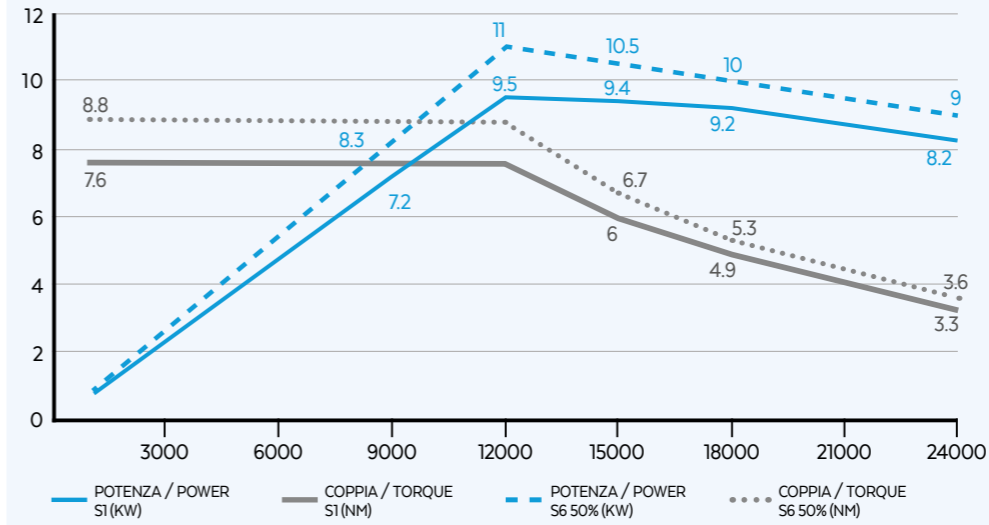
- S1-S6 kW 8/9.5
- S1-S6 A 18.5/20.5
- Poles 4
- S1-S6 Nm 6.4/7.6
- Volt 380
- Supply inverter
- rpm 24000
- kg 21

EQUIPAGGIAMENTO / EQUIPMENT

- HSK 63F
- Liquid cooling
- Double effect pneumatic cylinder
- Automatic tool changer
- Ceramic ball bearings
- Labyrinth with air seal
- Sensors s1, s2, s3
- Grease lubrication
- Taper cleaning
- ISO 30

QE-2 9,5/12 24

PRESTAZIONI / PERFORMANCES



OPZIONALI / OPTIONALS

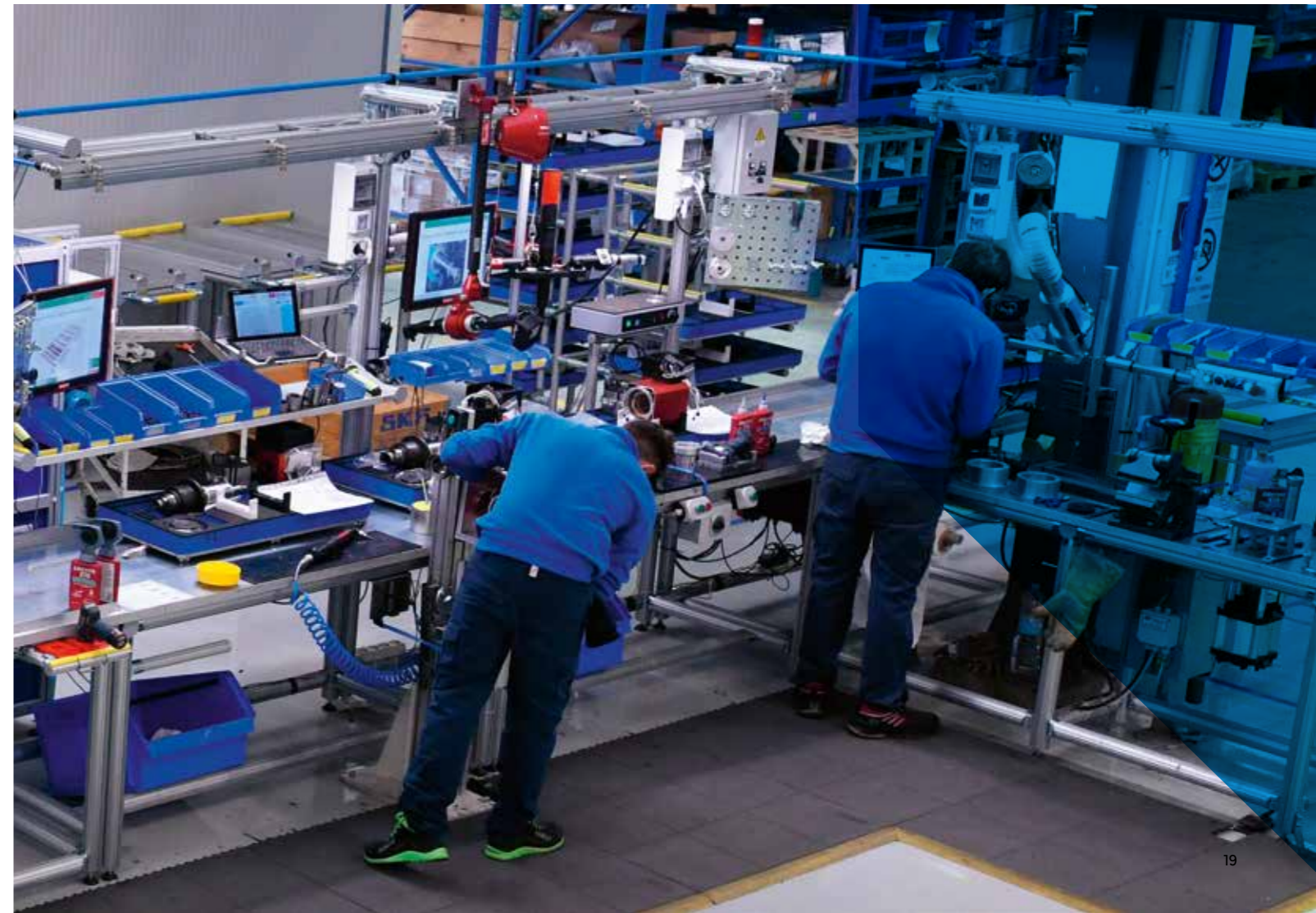
- Encoder TVpp or TTL
- Bearings temperature monitoring
- Long nose
- C-AXES available
- Air tool
- Speed monitoring
- Quick connection PP
- Vibration sensor
- Sensor s5

SPECIFICHE TECNICHE / TECHNICAL SPECIFICATIONS

- S1-S6 kW 9.5/11
- S1-S6 A 20.5/23
- Poles 4
- S1-S6 Nm 7.6/8.8
- Volt 380
- Supply inverter
- rpm 24000
- kg 21

EQUIPAGGIAMENTO / EQUIPMENT

- HSK 63F
- Liquid cooling
- Double effect pneumatic cylinder
- Automatic tool changer
- Ceramic ball bearings
- Labyrinth with air seal
- Sensors s1, s2, s3
- Grease lubrication
- Taper cleaning
- ISO 30



# POWERTECH 400 HS

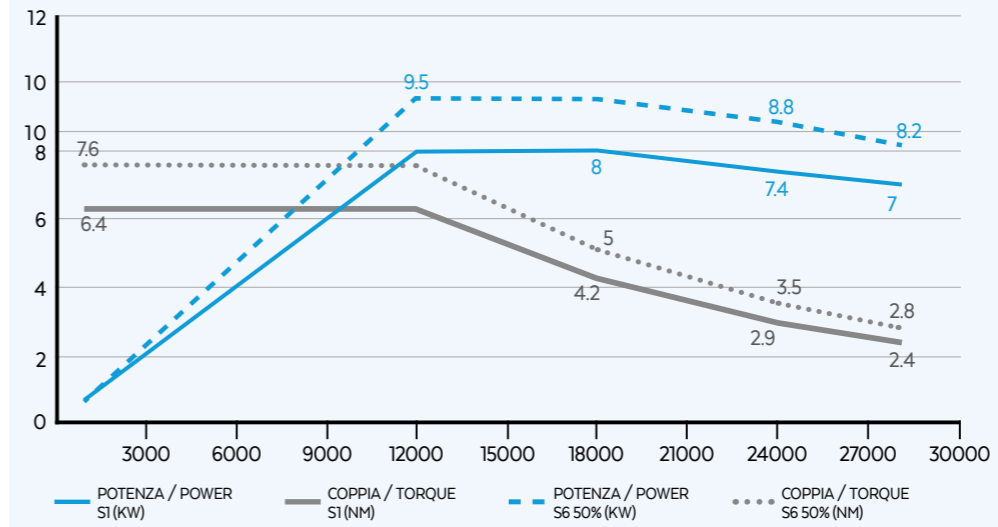


SUITABLE FOR PROCESSING ALUMINIUM AND COMPOSITE MATERIALS  
LONG NOSE LAYOUT TO GUARANTEE STRONG RIGIDITY  
HIGH SPEED FOR HIGH CUTTING SPEED OPERATIONS WITH AIR COOLING

QE-1F 8/12 28

HIGH SPEED

### PRESTAZIONI / PERFORMANCES



### OPZIONALI / OPTIONALS

- Encoder 1Vpp or TTL
- Bearings temperature monitoring
- Dual voltage 220V-380V
- C-AXES available
- Air tool
- Speed monitoring
- Plug & Play Quick connection PP
- Vibration sensor
- SENSORS s5
- Sensor s5

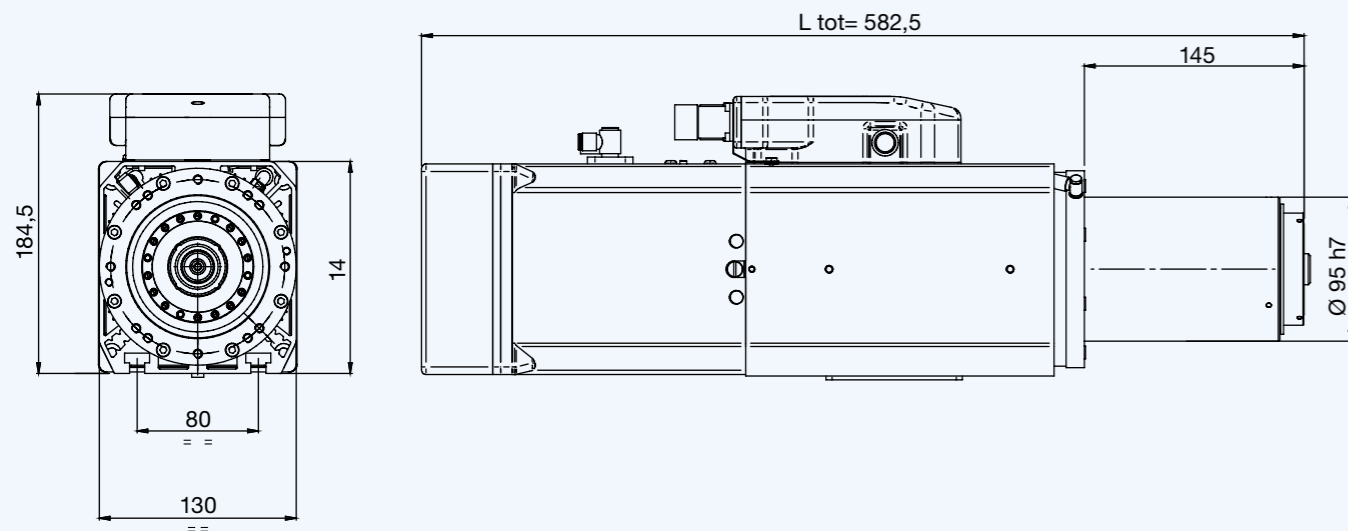
### SPECIFICHE TECNICHE / TECHNICAL SPECIFICATIONS

- S1-S6 kW 8/9
- S1-S6 A 17/19
- Pol es 4
- S1-S6 Nm 6.4/7.6
- Volt 380
- Supply inverter
- rpm 28000
- kg 25

### EQUIPAGGIAMENTO / EQUIPMENT

- ISO 30
- Electrofan cooling
- Double effect pneumatic cylinder
- Automatic tool changer
- Ceramic ball bearings
- Labyrinth with air seal
- SENSORS s1, s2, s3
- Grease lubrication
- Circular male connector
- Taper cleaning

### LAYOUT HSK 63F CC



### ALTRI LAYOUT / OTHER LAYOUTS

	$\Delta L$	L tot
ISO 30	+6,9 mm	589,4 mm
Encoder (1 Vpp or TTL)	+7 mm	589,5 mm

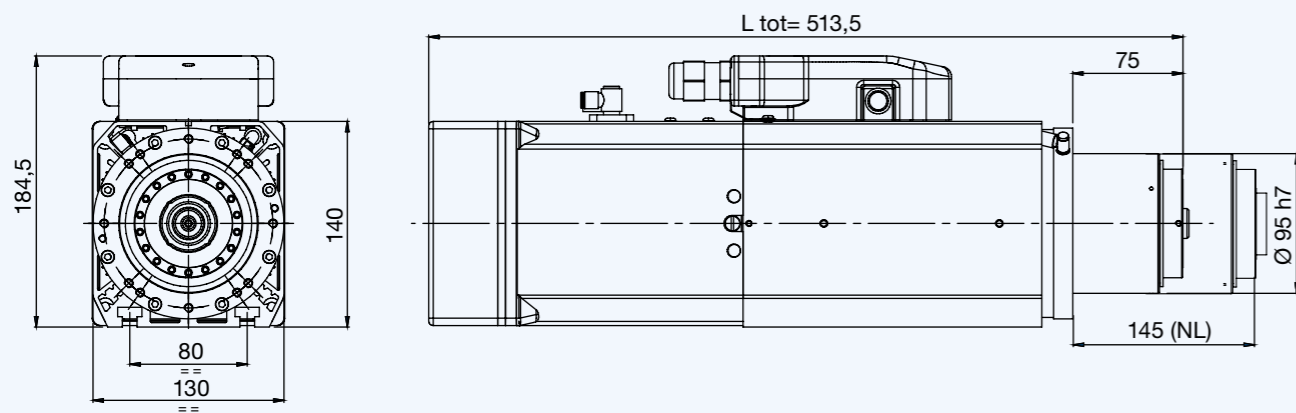


# POWERTECH 400



SUITABLE FOR PROCESSING WOOD AND ALUMINIUM  
 VERY POWERFUL AND HIGH TORQUES UP TO 16 KW  
 AVAILABILITY OF LIQUID COOLING FOR INTENSE USAGE  
 OPTION OF DRILLING, FLOWDRILL AND THREADING.  
 SIMPLE MAINTENANCE WITH SPINDLE KIT MANAGEMENT

## LAYOUT HSK 63F CB



## ALTRI LAYOUT / OTHER LAYOUTS

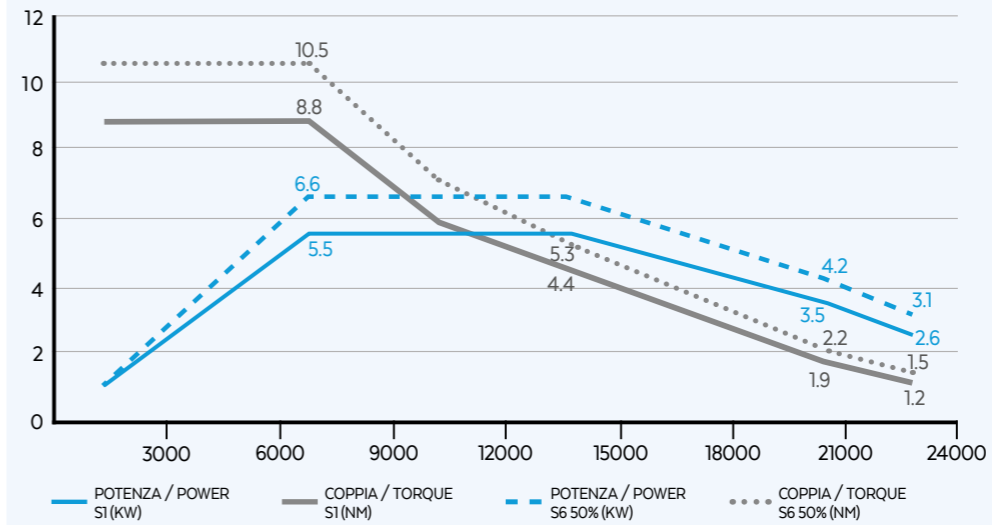
Aria	ΔL	L tot
ISO 30	+6,9 mm	520,6 mm
Aria compressa / Air compressed	ISO30= -75 mm	438,5 mm
	HSK63F= -75 mm	438,5 mm
Encoder (1 Vpp or TTL)	+7 mm	520,5 mm
	+7 mm	470,5 mm*
Liquido / Liquid	-50 mm	463,5 mm

\*Ltot per versione raffreddamento a liquido / Ltot liquid cooling option

## QE-1F 5.5/6 20

## HIGH TORQUE

### PRESTAZIONI / PERFORMANCES



### OPZIONALI / OPTIONALS

- Encoder TVpp or TTL
- Circular connector CC
- Quick connection PP
- Air tool
- Long nose
- Bearings temperature monitoring
- C-AXES available
- Speed monitoring
- Vibration sensor
- Sensor s5

### SPECIFICHE TECNICHE / TECHNICAL SPECIFICATIONS

- kW** 5.5/6.6
- Nm** 8.8/10.5
- rpm** 20000
- A** 12/13
- Volt** 380
- kg** 24
- Pol es 4
- Supply inverter

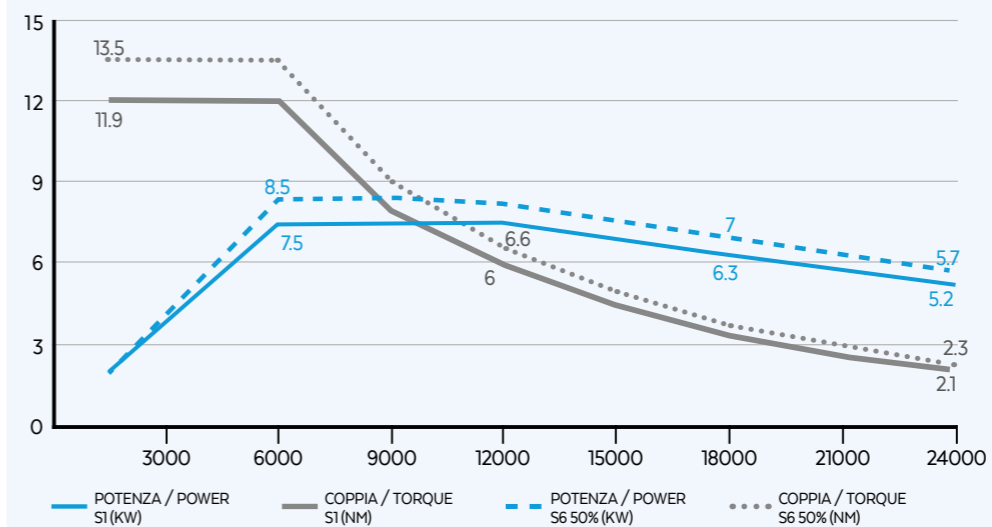
### EQUIPAGGIAMENTO / EQUIPMENT

- ISO 30
- Ceramic ball bearings
- Taper cleaning
- Electrofan cooling
- Labyrinth with air seal
- HSK 63F
- Double effect pneumatic cylinder
- Sensors s1, s2, s3
- Automatic tool changer
- Grease lubrication

## QE-1F 7.5/6 24

## HIGH TORQUE

### PRESTAZIONI / PERFORMANCES



### OPZIONALI / OPTIONALS

- Encoder TVpp or TTL
- Circular connector CC
- Quick connection PP
- Air tool
- Long nose
- Bearings temperature monitoring
- C-AXES available
- Speed monitoring
- Vibration sensor
- Sensor s5

### SPECIFICHE TECNICHE / TECHNICAL SPECIFICATIONS

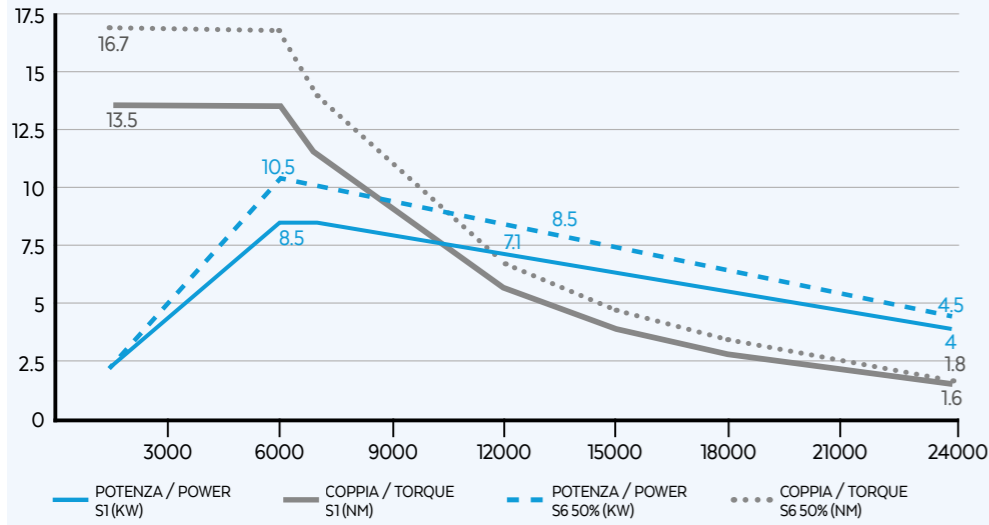
- kW** 7.5/8.5
- Nm** 11.9/13.5
- rpm** 24000
- A** 19.5/21.5
- Volt** 380
- kg** 24
- Pol es 4
- Supply inverter

### EQUIPAGGIAMENTO / EQUIPMENT

- ISO 30
- Ceramic ball bearings
- Taper cleaning
- Electrofan cooling
- Labyrinth with air seal
- HSK 63F
- Double effect pneumatic cylinder
- Sensors s1, s2, s3
- Automatic tool changer
- Grease lubrication

QE-1F 8.5/6 24 HIGH TORQUE

PRESTAZIONI / PERFORMANCES



OPZIONALI / OPTIONALS

- Encoder TVpp or TTL
- Circular connector CC
- Quick connection PP
- Long nose
- Air tool
- Voltage 220V
- Bearings temperature monitoring
- C-AXES available
- Speed monitoring
- Vibration sensor
- Sensor s5

SPECIFICHE TECNICHE / TECHNICAL SPECIFICATIONS

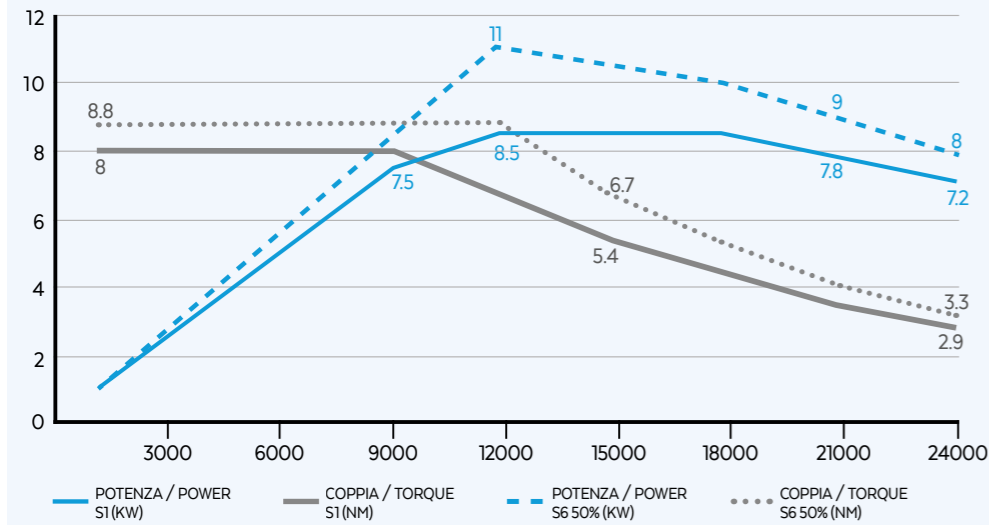
**S1-S6 kW** 8.5/10.5  
**S1-S6 A** 20/25  
**S1-S6 Nm** 13.5/16.7  
**rpm** 24000  
**Volt** 380  
**kg** 24  
**Pol es** 4  
**Supply** inverter

EQUIPAGGIAMENTO / EQUIPMENT

**ISO 30**  
**Ceramic ball bearings**  
**Taper cleaning**  
**Electrofan cooling**  
**Labyrinth with air seal**  
**HSK 63F**  
**Double effect pneumatic cylinder**  
**Sensors s1, s2, s3**  
**Automatic tool changer**  
**Grease lubrication**

QE-1F 8.5/12 24

PRESTAZIONI / PERFORMANCES



OPZIONALI / OPTIONALS

- Encoder TVpp or TTL
- Circular connector CC
- Quick connection PP
- Long nose
- Air tool
- Voltage 220V
- Bearings temperature monitoring
- C-AXES available
- Speed monitoring
- Vibration sensor
- Sensor s5

SPECIFICHE TECNICHE / TECHNICAL SPECIFICATIONS

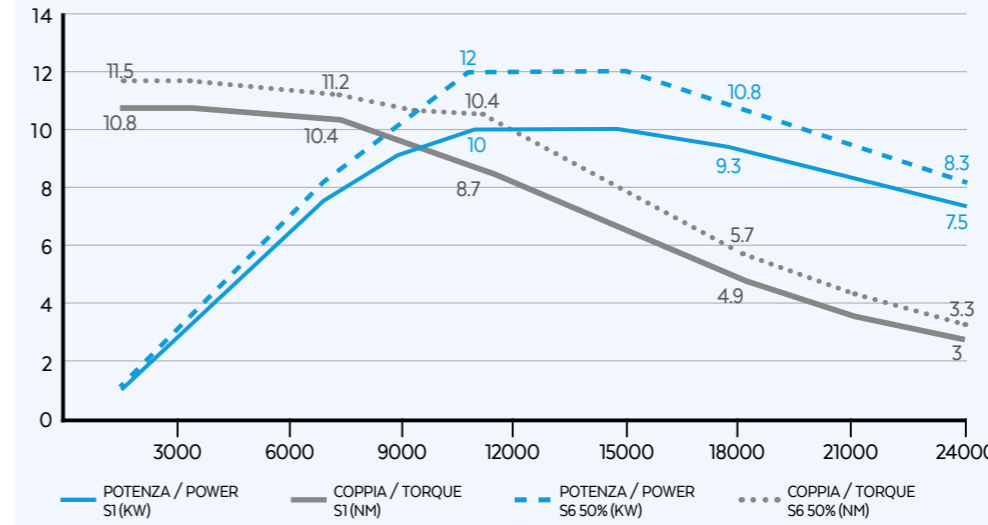
**S1-S6 kW** 8/9.5  
**S1-S6 A** 18.5/20.5  
**S1-S6 Nm** 6.4/7.6  
**rpm** 24000  
**Volt** 380  
**kg** 21  
**Pol es** 4  
**Supply** inverter

EQUIPAGGIAMENTO / EQUIPMENT

**ISO 30**  
**Ceramic ball bearings**  
**Taper cleaning**  
**Electrofan cooling**  
**Labyrinth with air seal**  
**COM-PRESSED AIR**  
**HSK 63F**  
**Double effect pneumatic cylinder**  
**Sensors s1, s2, s3**  
**Automatic tool changer**  
**Grease lubrication**

QE-1F 10/11 24

PRESTAZIONI / PERFORMANCES



OPZIONALI / OPTIONALS

- Encoder TVpp or TTL
- Circular connector CC
- Quick connection PP
- Dual voltage 220V-380V
- Voltage 220V
- Air tool
- Bearings temperature monitoring
- C-AXES available
- Speed monitoring
- Vibration sensor
- Sensor s5
- Long nose

SPECIFICHE TECNICHE / TECHNICAL SPECIFICATIONS

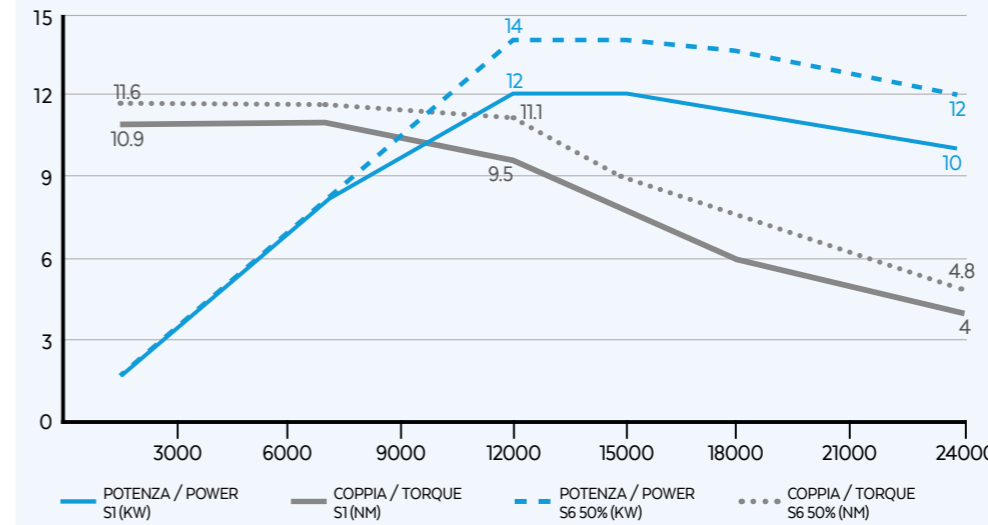
**S1-S6 kW** 10/12  
**S1-S6 A** 25/27  
**S1-S6 Nm** 10.8/11.5  
**rpm** 24000  
**Volt** 380  
**kg** 23  
**Pol es** 4  
**Supply** inverter

EQUIPAGGIAMENTO / EQUIPMENT

**ISO 30**  
**Ceramic ball bearings**  
**Taper cleaning**  
**Electrofan cooling**  
**COM-PRESSED AIR**  
**Labyrinth with air seal**  
**HSK 63F**  
**Double effect pneumatic cylinder**  
**Sensors s1, s2, s3**  
**Automatic tool changer**  
**Grease lubrication**

QE-1F 12/12 24

PRESTAZIONI / PERFORMANCES



OPZIONALI / OPTIONALS

- Encoder TVpp or TTL
- Circular connector CC
- Quick connection PP
- Air tool
- Long nose
- Bearings temperature monitoring
- C-AXES available
- Speed monitoring
- Vibration sensor
- Sensor s5

SPECIFICHE TECNICHE / TECHNICAL SPECIFICATIONS

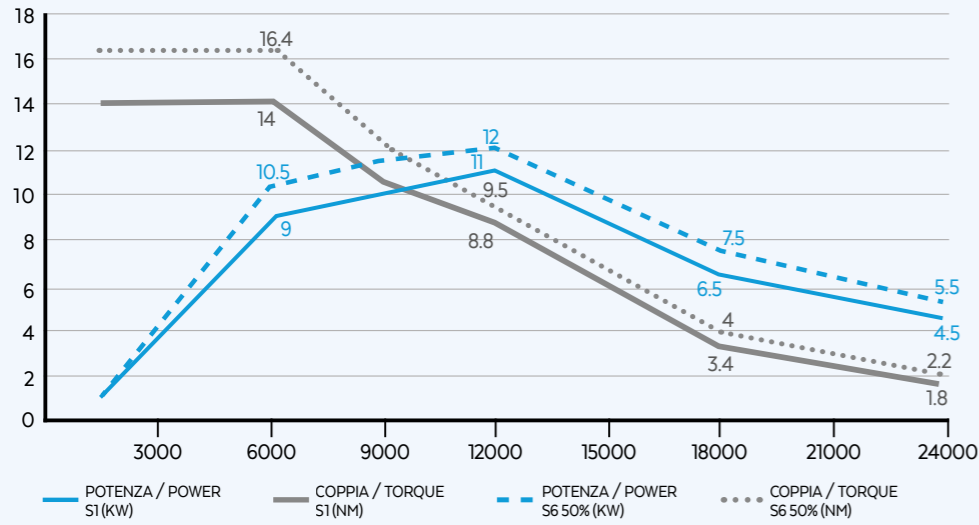
**S1-S6 kW** 12/14  
**S1-S6 A** 23/27  
**S1-S6 Nm** 10.9/11.6  
**rpm** 24000  
**Volt** 380  
**kg** 23  
**Pol es** 4  
**Supply** inverter

EQUIPAGGIAMENTO / EQUIPMENT

**HSK 63F**  
**Ceramic ball bearings**  
**Taper cleaning**  
**Electrofan cooling**  
**COM-PRESSED AIR**  
**Labyrinth with air seal**  
**Double effect pneumatic cylinder**  
**Sensors s1, s2, s3**  
**Automatic tool changer**  
**Grease lubrication**

QE-2 9/6 24 HIGH TORQUE

PRESTAZIONI / PERFORMANCES



OPZIONALI / OPTIONALS

- Encoder TVpp or TTL
- Circular connector CC
- Quick connection PP
- Air tool
- Long nose
- Bearings temperature monitoring
- C-AXES C-axis available
- Speed monitoring
- Vibration sensor
- SENSOR S5

SPECIFICHE TECNICHE / TECHNICAL SPECIFICATIONS

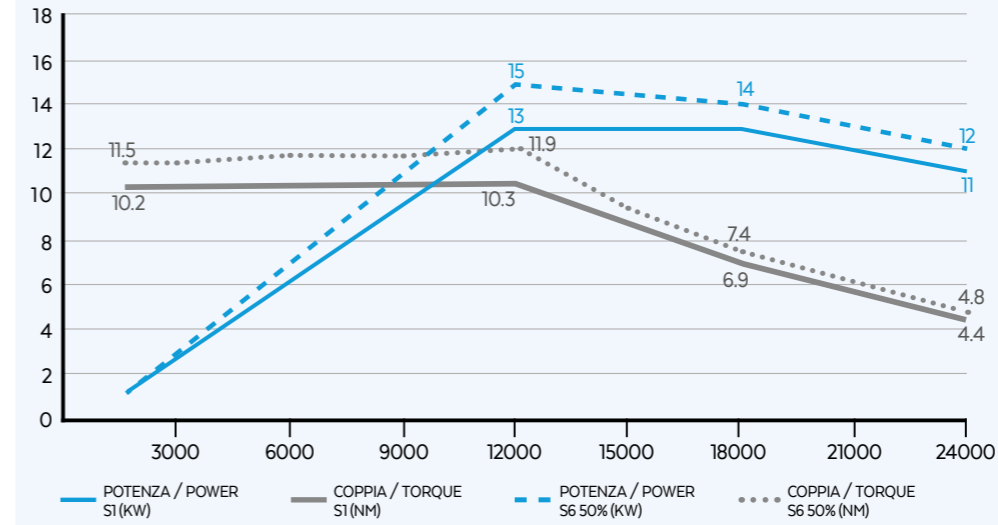
- S1-S6 kW** 9/10.5
- S1-S6 A** 20/22.5
- Pol es** 4
- S1-S6 Nm** 14/16.4
- Volt** 380
- Supply** inverter
- rpm** 24000
- kg** 23

EQUIPAGGIAMENTO / EQUIPMENT

- HSK 63F
- Liquid cooling
- Double effect pneumatic cylinder
- Automatic tool changer
- Ceramic ball bearings
- Labyrinth with air seal
- Sensors s1, s2, s3
- Grease lubrication
- Taper cleaning

QE-2 13/12 24

PRESTAZIONI / PERFORMANCES



OPZIONALI / OPTIONALS

- Encoder TVpp or TTL
- Circular connector CC
- Quick connection PP
- Air tool
- Long nose
- Bearings temperature monitoring
- C-AXES C-axis available
- Speed monitoring
- Vibration sensor
- SENSOR S5

SPECIFICHE TECNICHE / TECHNICAL SPECIFICATIONS

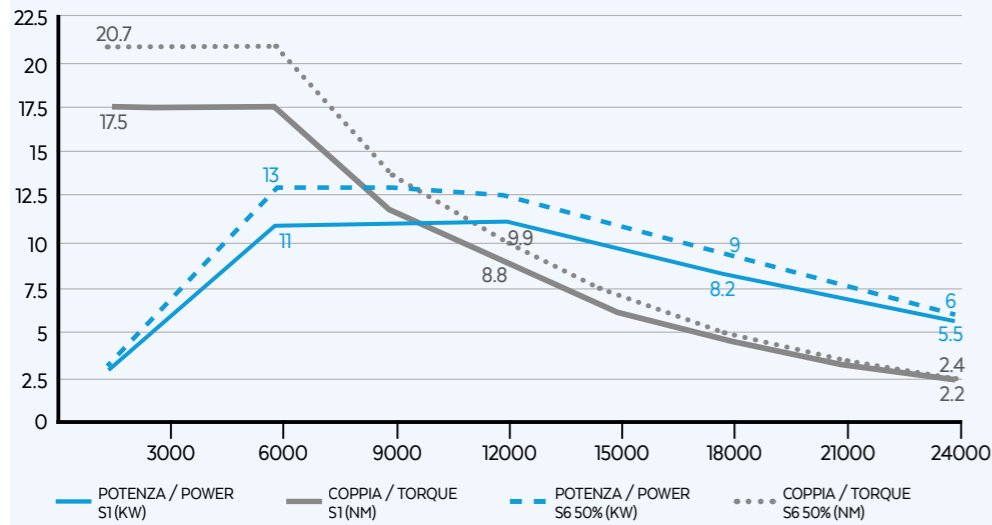
- S1-S6 kW** 13/15
- S1-S6 A** 28/31
- Pol es** 4
- S1-S6 Nm** 10.3/11.9
- Volt** 380
- Supply** inverter
- rpm** 24000
- kg** 23

EQUIPAGGIAMENTO / EQUIPMENT

- HSK 63F
- Liquid cooling
- Double effect pneumatic cylinder
- Automatic tool changer
- Ceramic ball bearings
- Labyrinth with air seal
- Sensors s1, s2, s3
- Grease lubrication
- Taper cleaning

QE-2 11/6 24 HIGH TORQUE

PRESTAZIONI / PERFORMANCES



OPZIONALI / OPTIONALS

- Encoder TVpp or TTL
- Circular connector CC
- Quick connection PP
- Air tool
- Long nose
- Bearings temperature monitoring
- C-AXES C-axis available
- Speed monitoring
- Vibration sensor
- SENSOR S5

SPECIFICHE TECNICHE / TECHNICAL SPECIFICATIONS

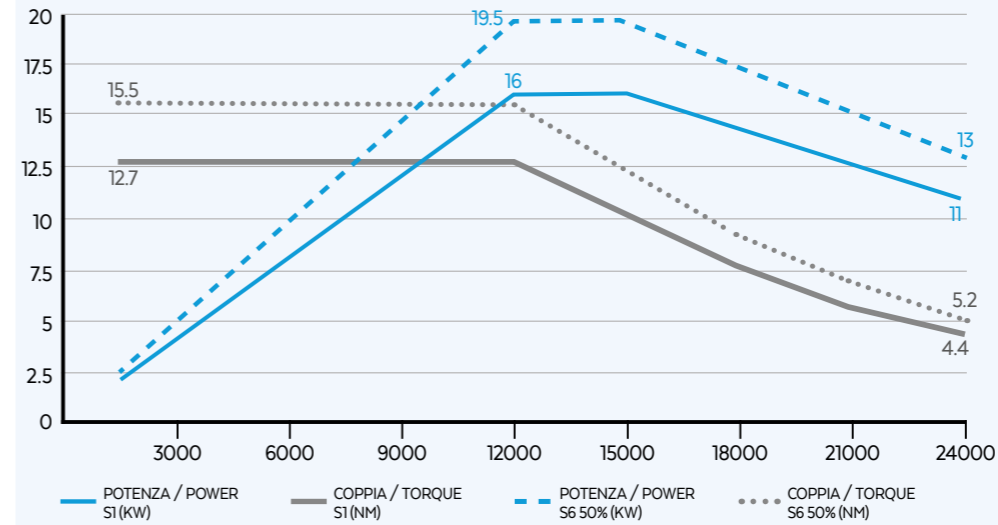
- S1-S6 kW** 11/13
- S1-S6 A** 24/28
- Pol es** 4
- S1-S6 Nm** 17.5/20.7
- Volt** 380
- Supply** inverter
- rpm** 24000
- kg** 23

EQUIPAGGIAMENTO / EQUIPMENT

- HSK 63F
- Liquid cooling
- Double effect pneumatic cylinder
- Automatic tool changer
- Ceramic ball bearings
- Labyrinth with air seal
- Sensors s1, s2, s3
- Grease lubrication
- Taper cleaning

QE-2 16/12 24

PRESTAZIONI / PERFORMANCES



OPZIONALI / OPTIONALS

- Encoder TVpp or TTL
- Circular connector CC
- Quick connection PP
- Air tool
- Long nose
- Bearings temperature monitoring
- C-AXES C-axis available
- Speed monitoring
- Vibration sensor
- SENSOR S5

SPECIFICHE TECNICHE / TECHNICAL SPECIFICATIONS

- S1-S6 kW** 16/19.5
- S1-S6 A** 31/36
- Pol es** 4
- S1-S6 Nm** 12.7/15.5
- Volt** 380
- Supply** inverter
- rpm** 24000
- kg** 23

EQUIPAGGIAMENTO / EQUIPMENT

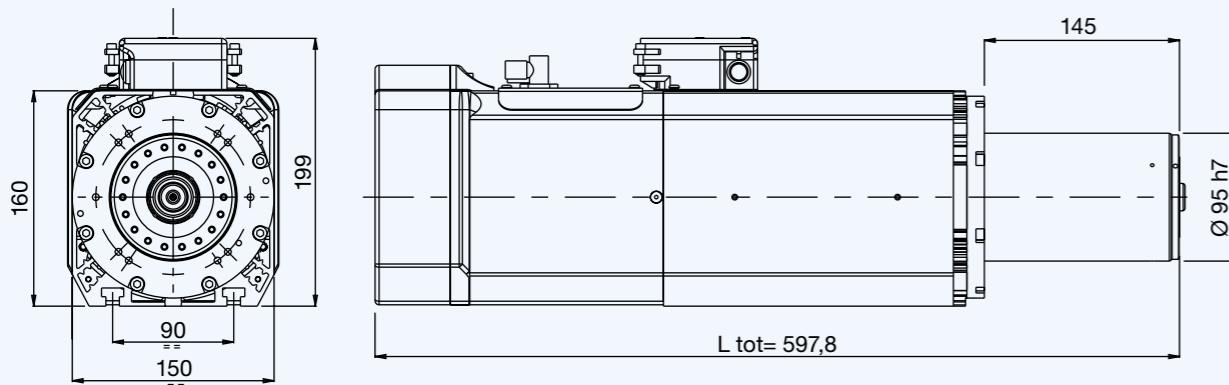
- HSK 63F
- Liquid cooling
- Double effect pneumatic cylinder
- Automatic tool changer
- Ceramic ball bearings
- Labyrinth with air seal
- Sensors s1, s2, s3
- Grease lubrication
- Taper cleaning

# POWERTECH 500



SUITABLE FOR PROCESSING WOOD AND ALUMINIUM  
 POWER UP TO 18 KW AND HIGH TORQUES FOR DEMANDING WORK  
 HSK 63E TAPER FOR TOOLS WITH DUAL PROFILE  
 DEMANDING WORK ON WOODEN WINDOWS AND DOORS  
 AVAILABILITY OF LIQUID COOLING FOR INTENSE USAGE

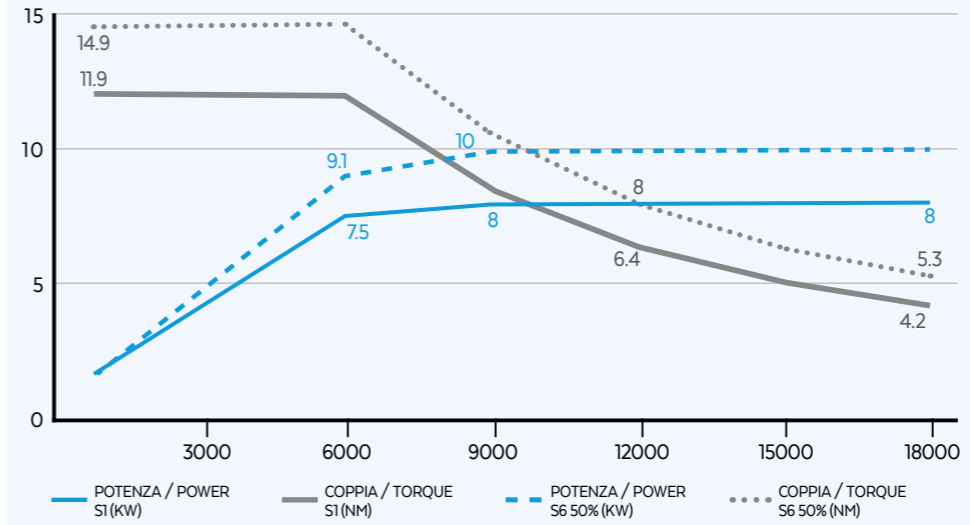
## LAYOUT HSK 63F PP



## QF-1F 8/9/18

## HIGH TORQUE

### PRESTAZIONI / PERFORMANCES



### OPZIONALI / OPTIONALS

- Bearings temperature monitoring
- C-AXES C-axis available
- Vibration sensor
- Speed monitoring

### SPECIFICHE TECNICHE / TECHNICAL SPECIFICATIONS

- S1-S6 kW 8/10
- S1-S6 A 20/24
- Pol es 4
- S1-S6 Nm 11.9/14.6
- Volt 380
- Supply inverter
- rpm 18000
- kg 35

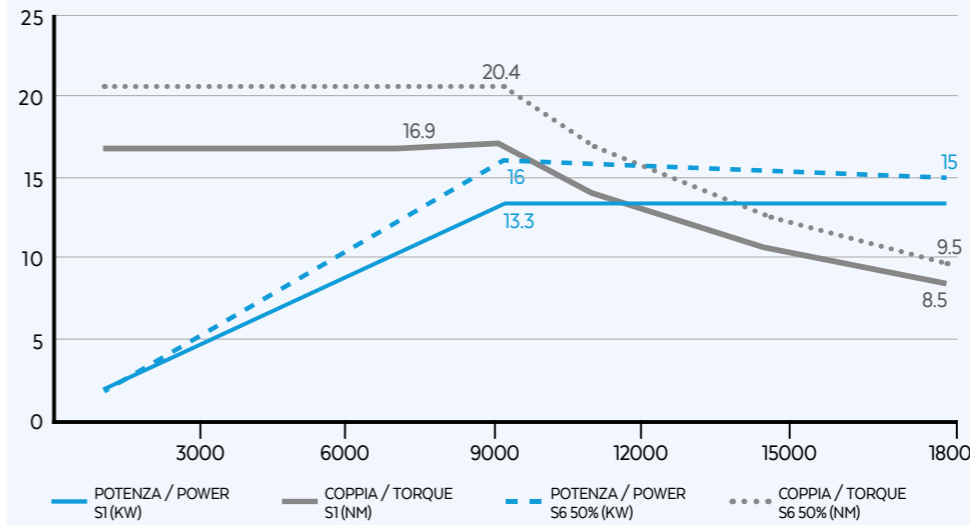
### EQUIPAGGIAMENTO / EQUIPMENT

- HSK 63F
- Electrofan cooling
- Double effect pneumatic cylinder
- Automatic tool changer
- Ceramic ball bearings
- Labyrinth with air seal
- Sensors s1, s2, s3
- Grease lubrication
- Taper cleaning
- Plug & Play Quick connection PP

## QF-1F 13/7/15

## HIGH TORQUE

### PRESTAZIONI / PERFORMANCES



### OPZIONALI / OPTIONALS

- Bearings temperature monitoring
- C-AXES C-axis available
- Vibration sensor
- Speed monitoring

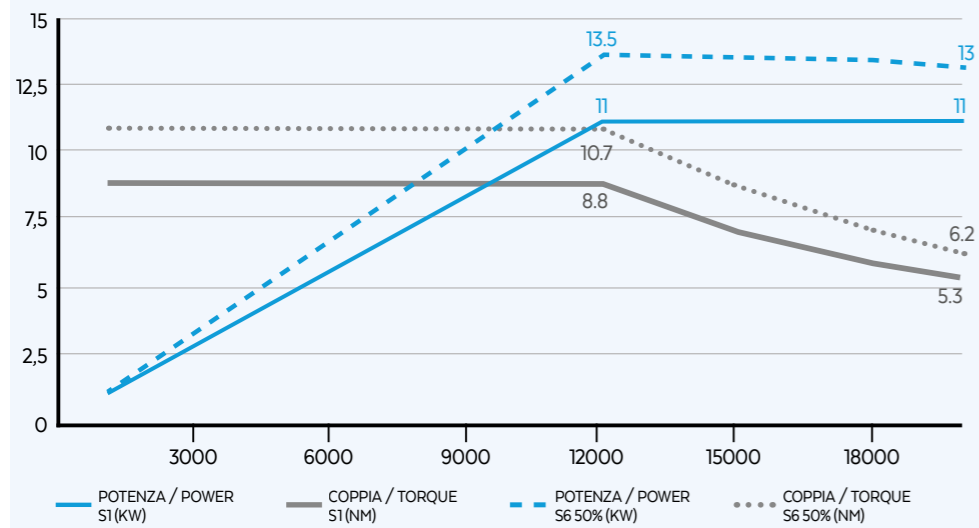
### SPECIFICHE TECNICHE / TECHNICAL SPECIFICATIONS

- S1-S6 kW 13.3/16
- S1-S6 A 28/32
- Pol es 4
- S1-S6 Nm 16.9/20.4
- Volt 380
- Supply inverter
- rpm 18000
- kg 35

### EQUIPAGGIAMENTO / EQUIPMENT

- HSK 63F
- Electrofan cooling
- Double effect pneumatic cylinder
- Automatic tool changer
- Ceramic ball bearings
- Labyrinth with air seal
- Sensors s1, s2, s3
- Grease lubrication
- Taper cleaning
- Plug & Play Quick connection PP

PRESTAZIONI / PERFORMANCES



OPZIONALI / OPTIONALS

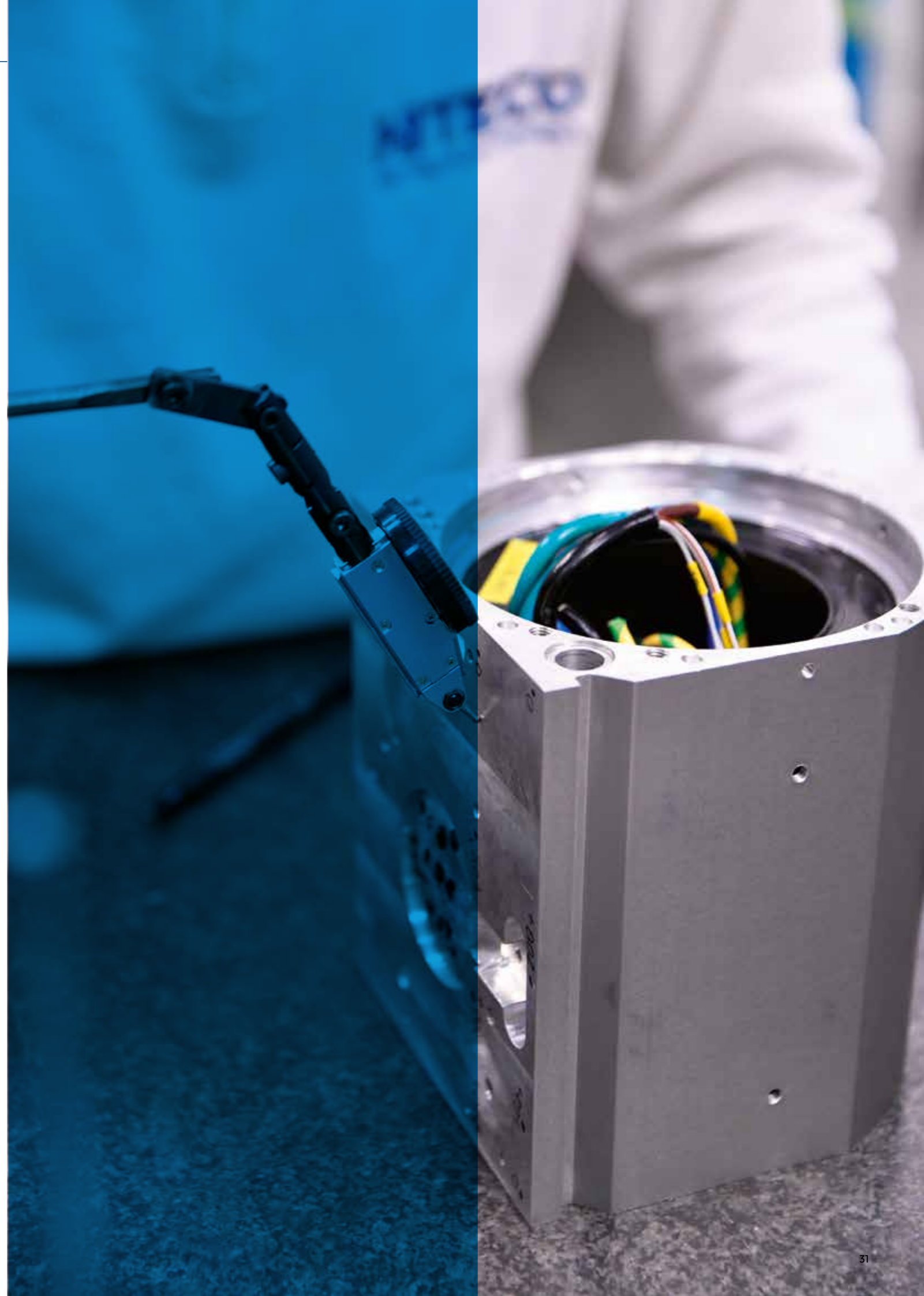
- Bearings temperature monitoring
- Vibration sensor
- C-AXES available
- Speed monitoring

SPECIFICHE TECNICHE / TECHNICAL SPECIFICATIONS

- S1-S6 kW** 11/13.5
- S1-S6 Nm** 8.8/10.7
- rpm** 20000
- S1-S6 A** 28/32
- Volt** 380
- kg** 35
- Pol es** 4
- Sup ply** inverter

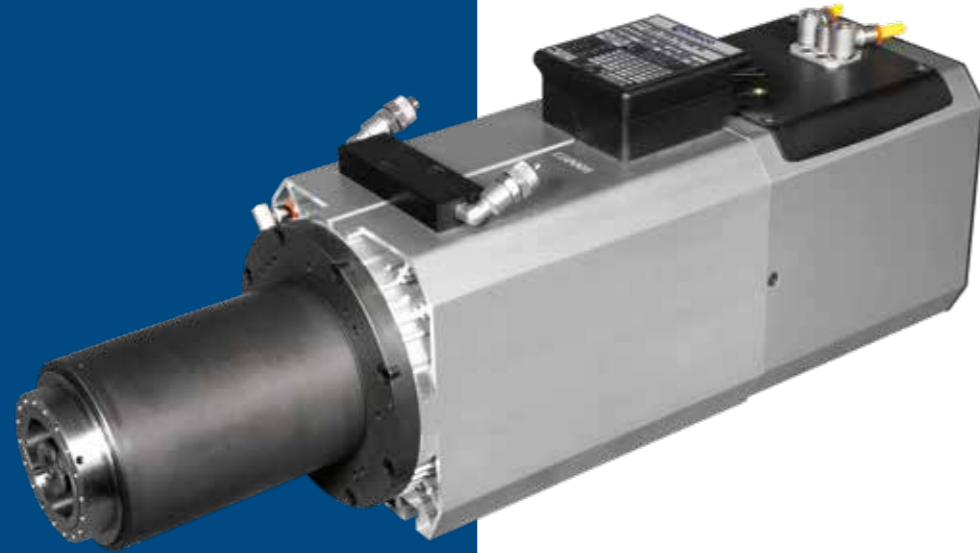
EQUIPAGGIAMENTO / EQUIPMENT

- HSK 63F
- Ceramic ball bearings
- Taper cleaning
- Electrofan cooling
- Labyrinth with air seal
- Plug & Play
- Double effect pneumatic cylinder
- Sensors s1, s2, s3
- Automatic tool changer
- Grease lubrication



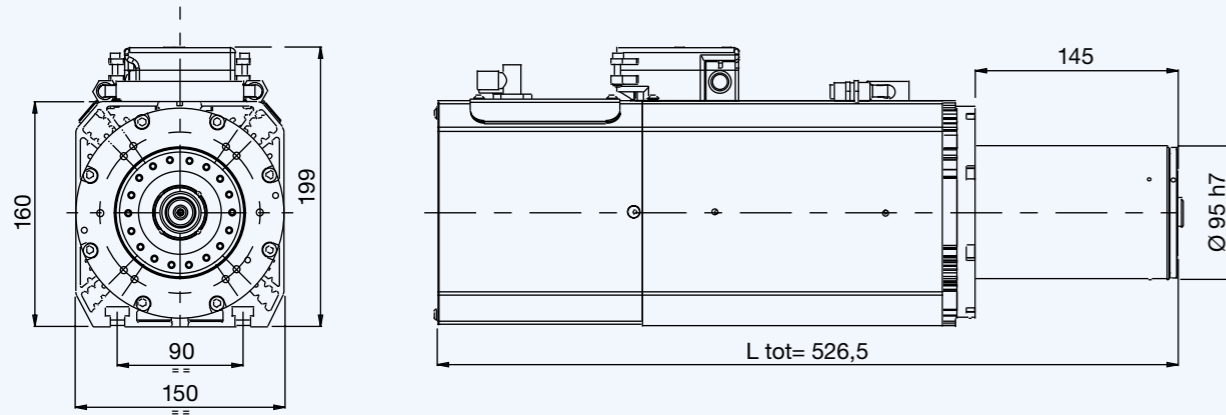


# POWERTECH 500



SUITABLE FOR PROCESSING WOOD AND ALUMINIUM  
 POWER UP TO 18 KW AND HIGH TORQUES FOR DEMANDING WORK  
 HSK 63E TAPER FOR TOOLS WITH DUAL PROFILE  
 DEMANDING WORK ON WOODEN WINDOWS AND DOORS  
 AVAILABILITY OF LIQUID COOLING FOR INTENSE USAGE

## LAYOUT HSK 63F PP



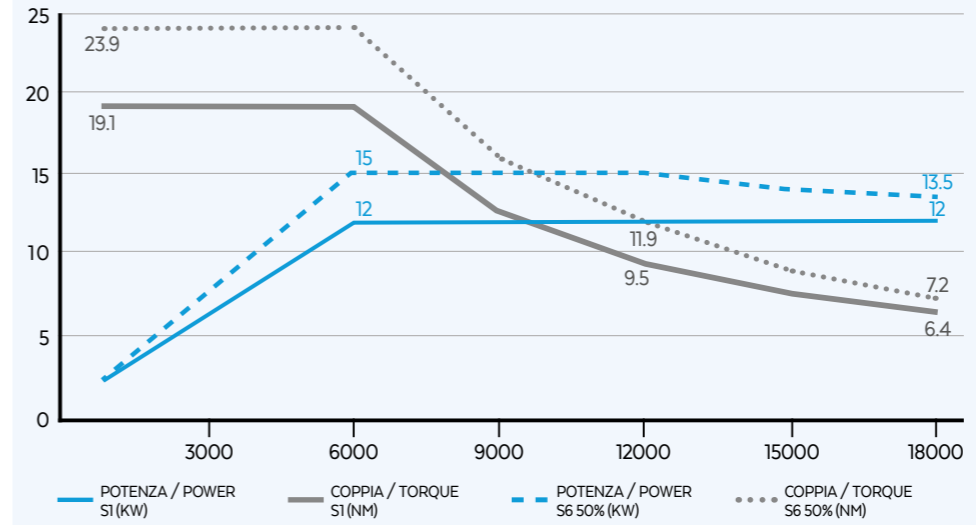
## ALTRI LAYOUT / OTHER LAYOUTS

Liquido	ΔL	L tot
HSK 63E	+21 mm	547,5 mm

## QF-2 12/6 18

## HIGH TORQUE

### PRESTAZIONI / PERFORMANCES



### OPZIONALI / OPTIONALS

- Bearings temperature monitoring
- C-AXES C-axis available
- Vibration sensor
- Speed monitoring

### SPECIFICHE TECNICHE / TECHNICAL SPECIFICATIONS

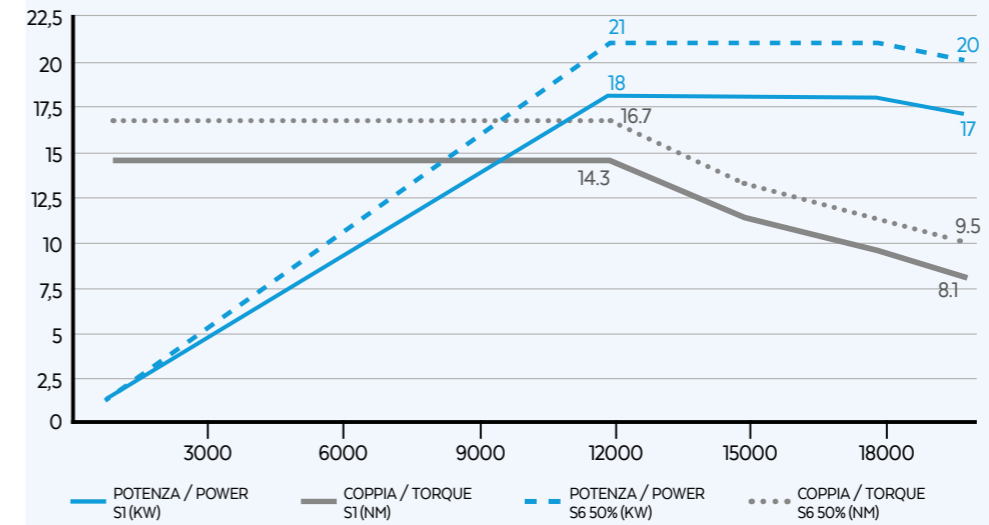
- S1-S6 kW 12/15
- S1-S6 A 28/35
- Pol es 4
- S1-S6 Nm 19.1/23.9
- Volt 380
- Supply inverter
- rpm 18000
- kg 35

### EQUIPAGGIAMENTO / EQUIPMENT

- HSK 63E
- Liquid cooling
- Double effect pneumatic cylinder
- Automatic tool changer
- Ceramic ball bearings
- Labyrinth with air seal
- Sensors s1, s2, s3
- Grease lubrication
- Taper cleaning
- Plug & Play Quick connection PP
- HSK 63F

## QF-2 18/12 20

### PRESTAZIONI / PERFORMANCES



### OPZIONALI / OPTIONALS

- Bearings temperature monitoring
- C-AXES C-axis available
- Vibration sensor
- Speed monitoring

### SPECIFICHE TECNICHE / TECHNICAL SPECIFICATIONS

- S1-S6 kW 18/21
- S1-S6 A 36/41
- Pol es 4
- S1-S6 Nm 14.3/16.7
- Volt 380
- Supply inverter
- rpm 20000
- kg 35

### EQUIPAGGIAMENTO / EQUIPMENT

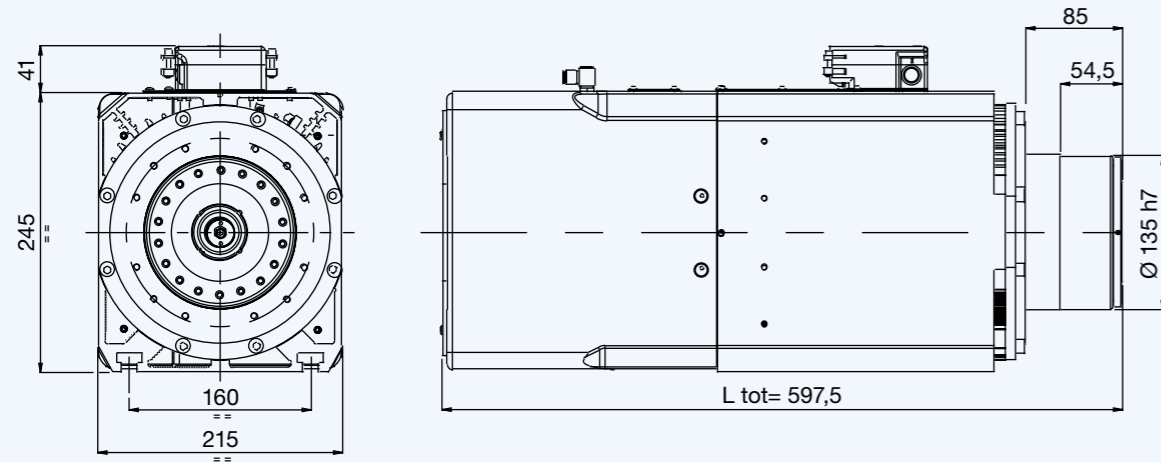
- HSK 63E
- Liquid cooling
- Double effect pneumatic cylinder
- Automatic tool changer
- Ceramic ball bearings
- Labyrinth with air seal
- Sensors s1, s2, s3
- Grease lubrication
- Taper cleaning
- Plug & Play Quick connection PP
- HSK 63F

# POWERTECH 600



SUITABLE FOR PROCESSING WOOD AND ALUMINIUM  
POWER UP TO 18 KW AND HIGH TORQUES FOR DEMANDING WORK  
AIR COOLING  
DEMANDING WORK ON WINDOWS AND DOORS

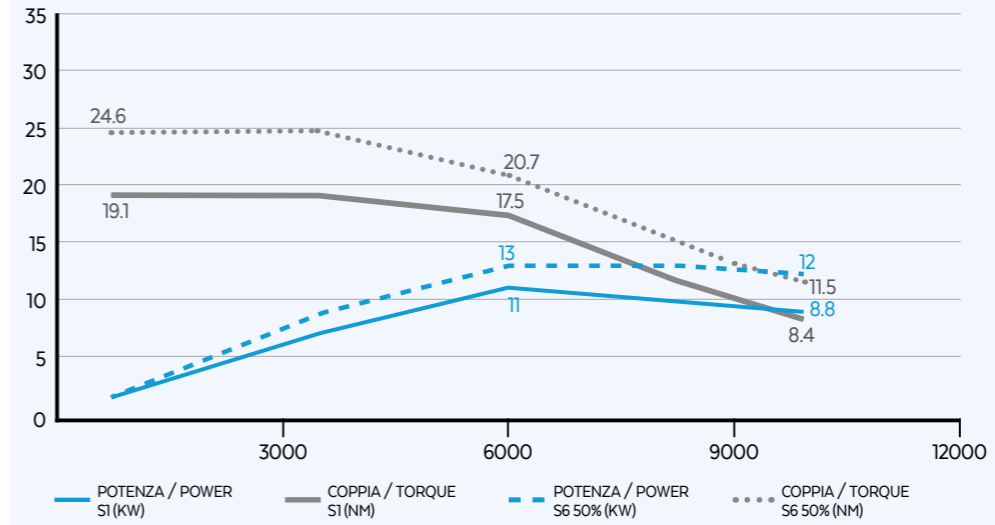
## LAYOUT HSK 80F PP



## QM-IF 11/6 10

## HIGH TORQUE

### PRESTAZIONI / PERFORMANCES



### OPZIONALI / OPTIONALS

- Bearings temperature monitoring
- Speed monitoring
- Vibration sensor

### SPECIFICHE TECNICHE / TECHNICAL SPECIFICATIONS

- S1-S6 kW 11/13
- S1-S6 A 25/33
- Pol es 4
- S1-S6 Nm 19.1/24.6
- Volt 380
- Supply inverter
- rpm 10000
- kg 70

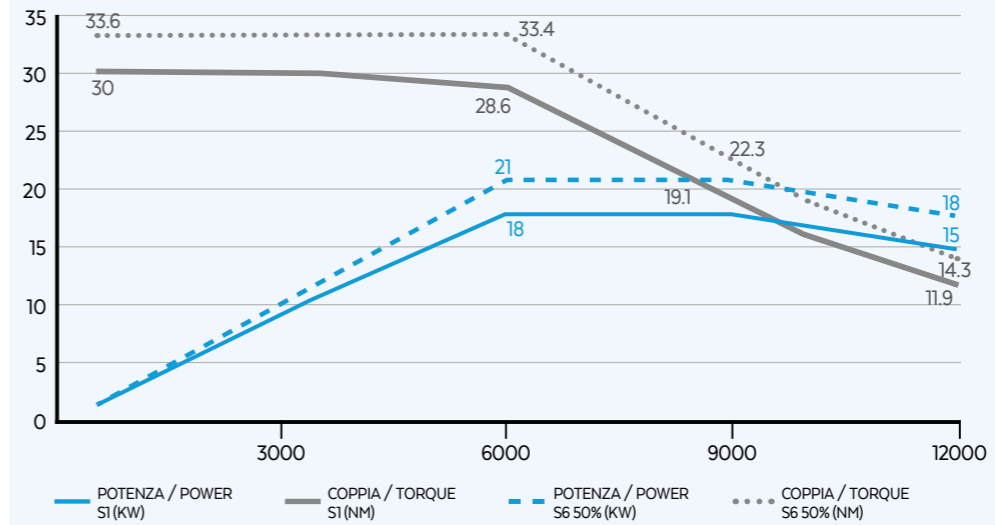
### EQUIPAGGIAMENTO / EQUIPMENT

- HSK 80F
- Electrofan cooling
- Single effect pneumatic cylinder
- Automatic tool changer
- Ceramic ball bearings
- Labyrinth with air seal
- Sensors s1, s2, s3
- Grease lubrication
- Taper cleaning
- Plug & Play

## QM-IF 18/6 12

## HIGH TORQUE

### PRESTAZIONI / PERFORMANCES



### OPZIONALI / OPTIONALS

- Bearings temperature monitoring
- Speed monitoring
- Vibration sensor

### SPECIFICHE TECNICHE / TECHNICAL SPECIFICATIONS

- S1-S6 kW 18/21
- S1-S6 A 37/42
- Pol es 4
- S1-S6 Nm 30/33.6
- Volt 380
- Supply inverter
- rpm 12000
- kg 70

### EQUIPAGGIAMENTO / EQUIPMENT

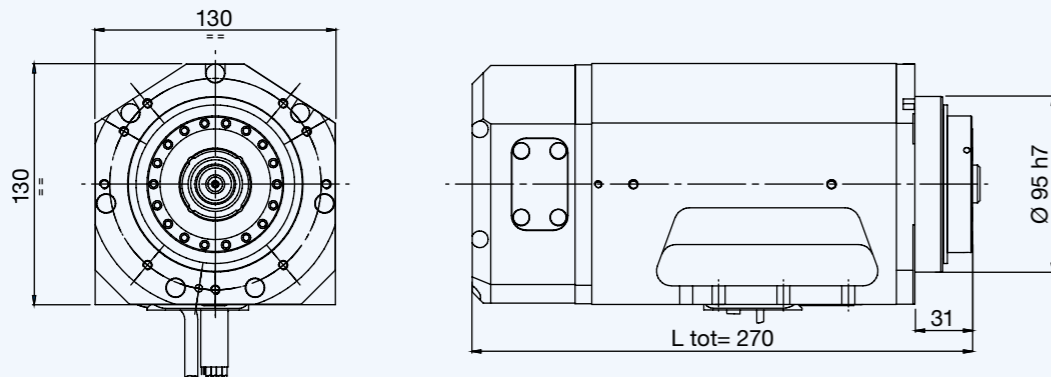
- HSK 80F
- Electrofan cooling
- Single effect pneumatic cylinder
- Automatic tool changer
- Ceramic ball bearings
- Labyrinth with air seal
- Sensors s1, s2, s3
- Grease lubrication
- Taper cleaning
- Plug & Play

# ROBOTECH QX



SUITABLE FOR PROCESSING WOOD AND ALUMINIUM  
HIGH POWER DENSITY  
OPTIMAL LAYOUT FOR BI-ROTATIONAL HEADS AT 90° AND 50°  
ENCODER VERSION AVAILABLE

## LAYOUT HSK 63F

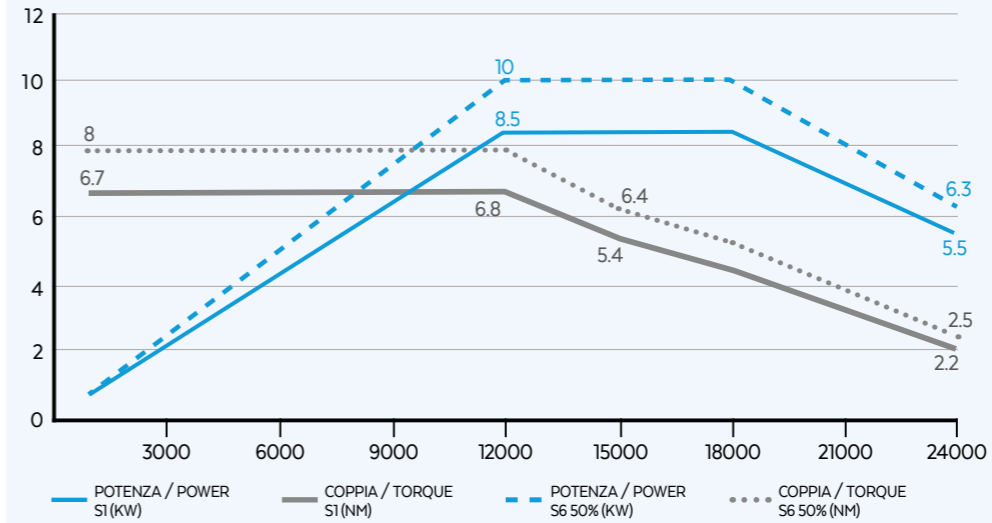


## ALTRI LAYOUT / OTHER LAYOUTS

	$\Delta L$	L tot
Encoder (1 Vpp or TTL)	+25 mm	295 mm

## QX-2 8.5/12 24

### PRESTAZIONI / PERFORMANCES



### OPZIONALI / OPTIONALS

- Encoder 1Vpp or TTL
- Bearings temperature monitoring
- Voltage 220V
- Speed monitoring
- Plug & Play Quick connection pp
- Vibration sensor
- Sensors s5

### SPECIFICHE TECNICHE / TECHNICAL SPECIFICATIONS

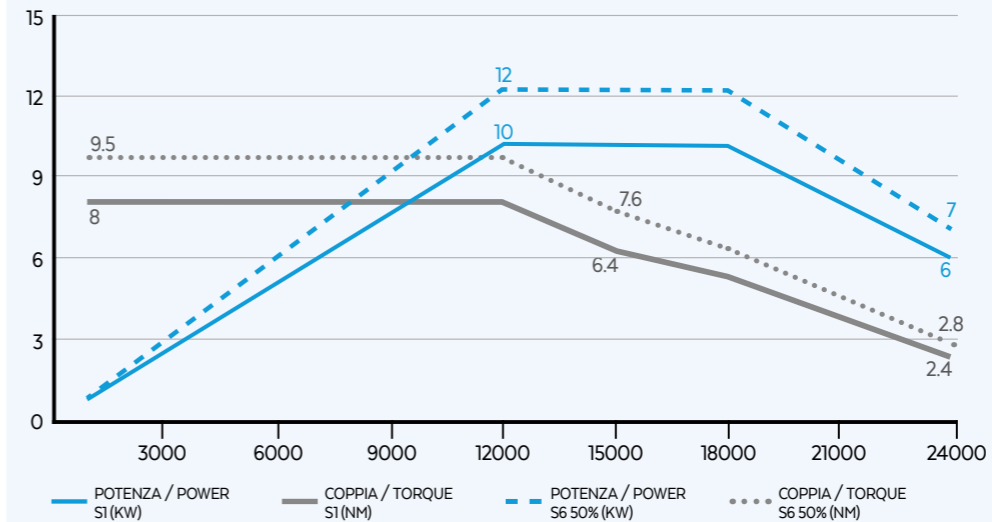
- Power: 8.5/10 kW
- Current: 20/22 A
- Pol: 4
- Supply: inverter
- Speed: 24000 rpm
- Weight: 18 kg

### EQUIPAGGIAMENTO / EQUIPMENT

- HSK 63F
- Liquid cooling
- Single effect pneumatic cylinder
- Automatic tool changer
- Ceramic ball bearings
- Labyrinth with air seal
- Sensors s1, s2, s3
- Grease lubrication
- Taper cleaning

## QX-2 10/12 24

### PRESTAZIONI / PERFORMANCES



### OPZIONALI / OPTIONALS

- Encoder 1Vpp or TTL
- Bearings temperature monitoring
- Voltage 220V
- Speed monitoring
- Plug & Play Quick connection pp
- Vibration sensor
- Sensors s5

### SPECIFICHE TECNICHE / TECHNICAL SPECIFICATIONS

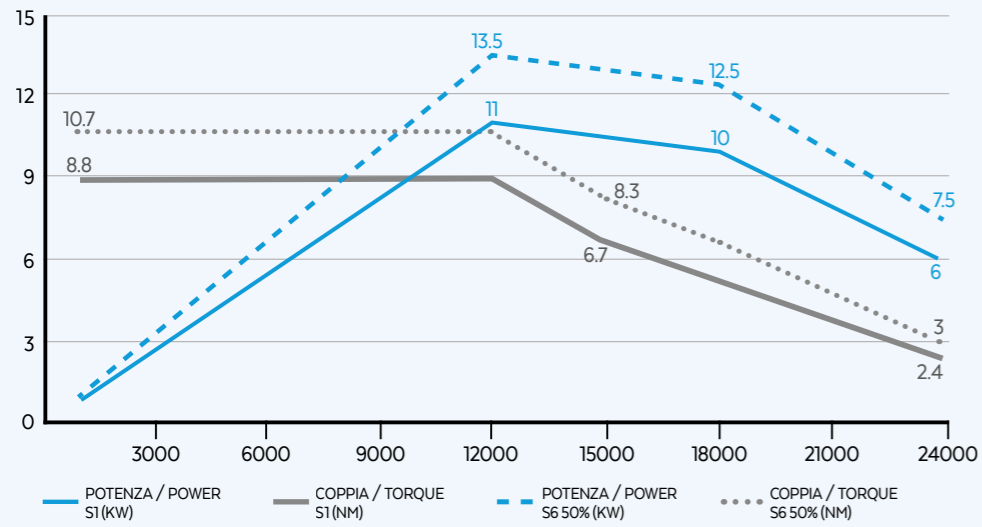
- Power: 10/12 kW
- Current: 23/26 A
- Pol: 4
- Supply: inverter
- Speed: 24000 rpm
- Weight: 19 kg

### EQUIPAGGIAMENTO / EQUIPMENT

- HSK 63F
- Liquid cooling
- Single effect pneumatic cylinder
- Automatic tool changer
- Ceramic ball bearings
- Labyrinth with air seal
- Sensors s1, s2, s3
- Grease lubrication
- Taper cleaning

QX-2 11/12 24

PRESTAZIONI / PERFORMANCES



OPZIONALI / OPTIONALS

- Encoder 1Vpp or TTL
- Sensor s5
- Quick connection pp
- Bearings temperature monitoring
- Vibration sensor
- Speed monitoring

SPECIFICHE TECNICHE / TECHNICAL SPECIFICATIONS

- kW** 11/13.5
- A** 24.5/29.5
- Pol es** 4
- Nm** 8.8/10.7
- Volt** 380
- Supply** inverter
- rpm** 24000
- kg** 19

EQUIPAGGIAMENTO / EQUIPMENT

- HSK 63F
- Liquid cooling
- Single effect pneumatic cylinder
- Automatic tool changer
- Ceramic ball bearings
- Labyrinth with air seal
- Sensors s1, s2, s3
- Grease lubrication
- Taper cleaning

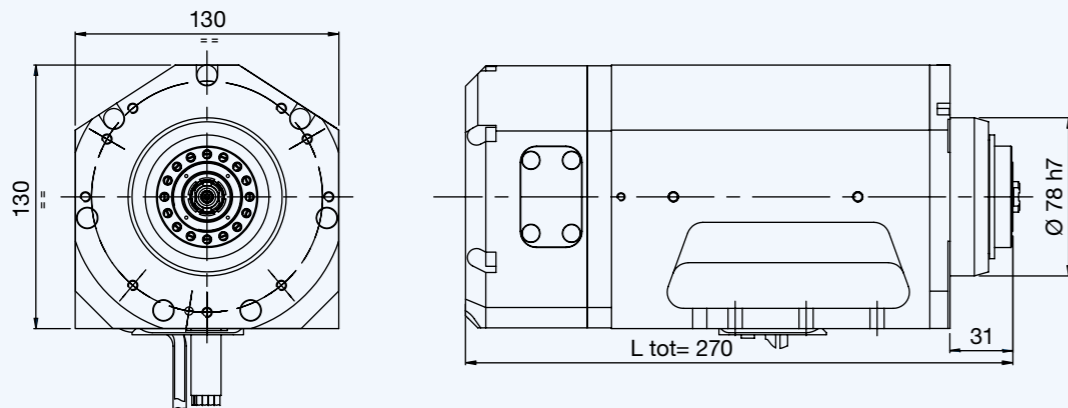


# ROBOTECH QX HS



SUITABLE FOR PROCESSING PLASTIC, ALUMINIUM AND COMPOSITE MATERIALS  
HIGH ROTATION SPEED UP TO 40,000 RPM  
OPTIMAL LAYOUT FOR BI-ROTATIONAL HEADS AT 90° AND 50°  
ADVERTISING, PLASTIC AND ADVANCED MATERIALS

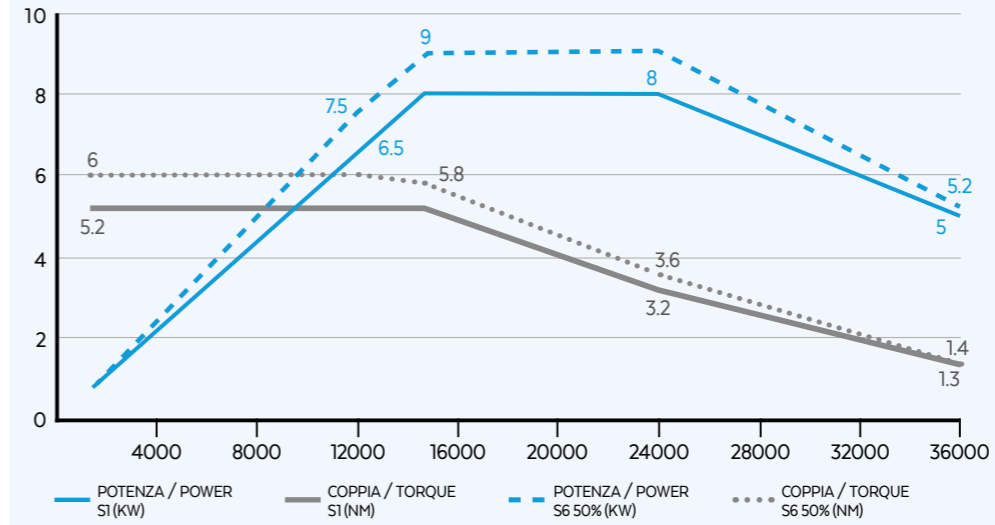
## LAYOUT HSK 32E / HSK 40E



## QX-2 8/15 36

HIGH SPEED

### PRESTAZIONI / PERFORMANCES



### OPZIONALI / OPTIONALS

- Encoder TVpp or TTL
- Bearings temperature monitoring
- Speed monitoring
- Vibration sensor
- Sensor s5

### SPECIFICHE TECNICHE / TECHNICAL SPECIFICATIONS

- S1-S6 kW 8/9
- S1-S6 A 23/25
- Pol es 4
- S1-S6 Nm 5.2/6
- Volt 380
- Supply inverter
- rpm 36000
- kg 18

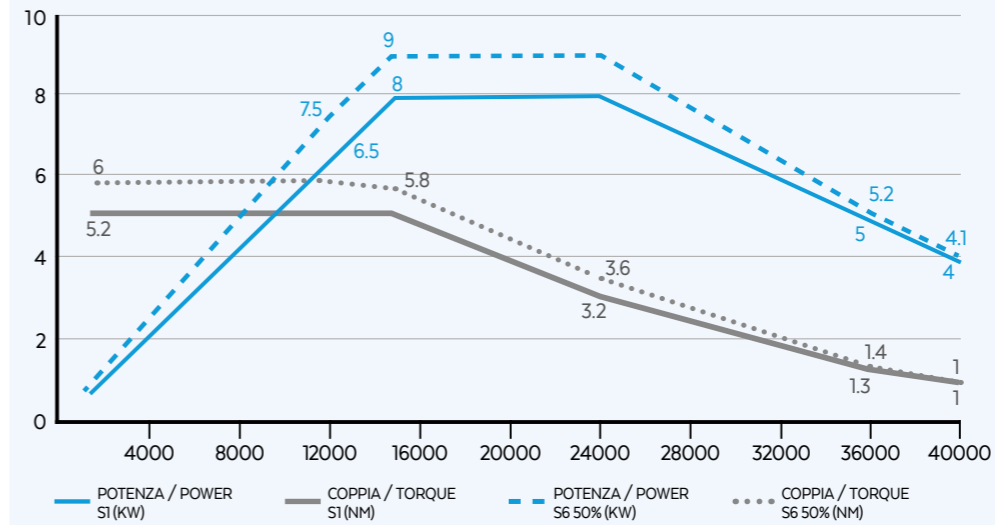
### EQUIPAGGIAMENTO / EQUIPMENT

- HSK 40E
- Liquid cooling
- Single effect pneumatic cylinder
- Automatic tool changer
- Ceramic ball bearings
- Labyrinth with air seal
- Sensors s1, s2, s3
- Grease lubrication
- Taper cleaning

## QX-2 8/15 40

HIGH SPEED

### PRESTAZIONI / PERFORMANCES



### OPZIONALI / OPTIONALS

- Encoder TVpp or TTL
- Bearings temperature monitoring
- Speed monitoring
- Vibration sensor
- Sensor s5

### SPECIFICHE TECNICHE / TECHNICAL SPECIFICATIONS

- S1-S6 kW 8/9
- S1-S6 A 23/25
- Pol es 4
- S1-S6 Nm 5.2/6
- Volt 380
- Supply inverter
- rpm 40000
- kg 18

### EQUIPAGGIAMENTO / EQUIPMENT

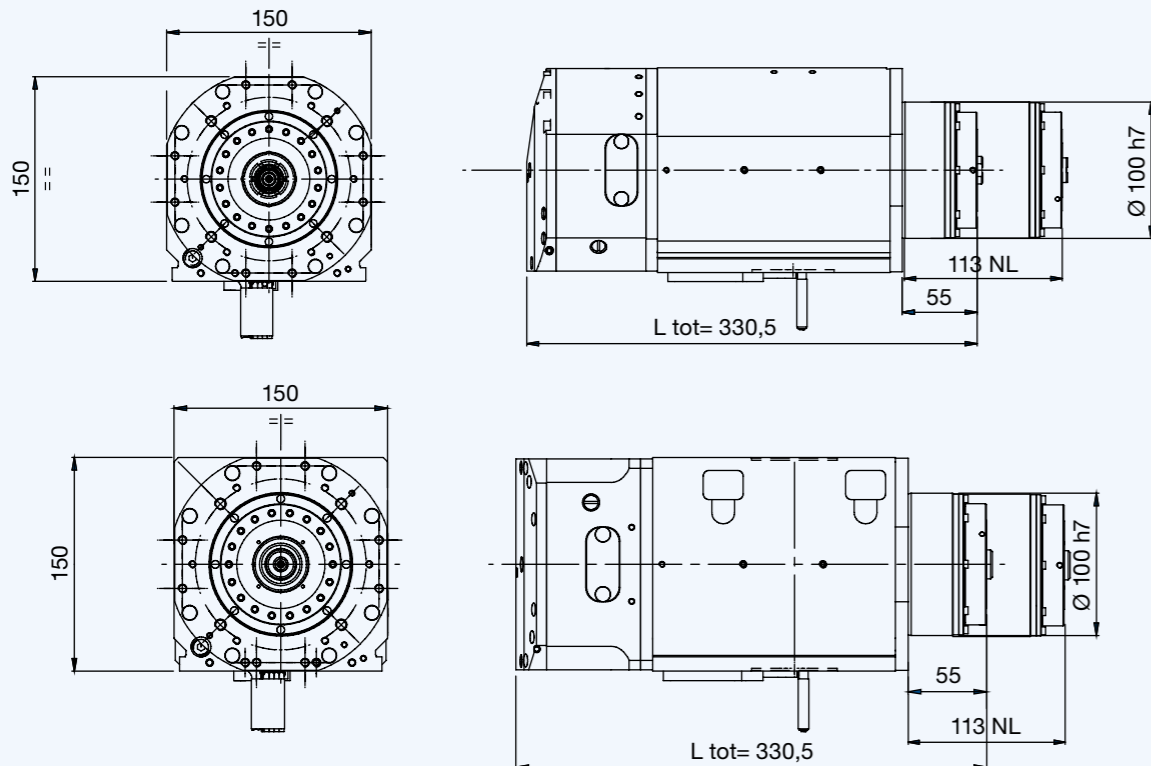
- HSK 32E
- Liquid cooling
- Single effect pneumatic cylinder
- Automatic tool changer
- Ceramic ball bearings
- Labyrinth with air seal
- Sensors s1, s2, s3
- Grease lubrication
- Taper cleaning

# ROBOTECH PX-HX



SUITABLE FOR PROCESSING WOOD, ALUMINIUM AND COMPOSITE MATERIALS  
POWER UP TO 20 KW AND HIGH TORQUES  
OPTIMAL LAYOUT FOR BI-ROTATIONAL HEADS AT 90° AND 50°  
WIDE RANGE OF CONFIGURATIONS WITH ENCODER, 5 BEARINGS,  
AIR TOOL, MQL AND OIL MIST

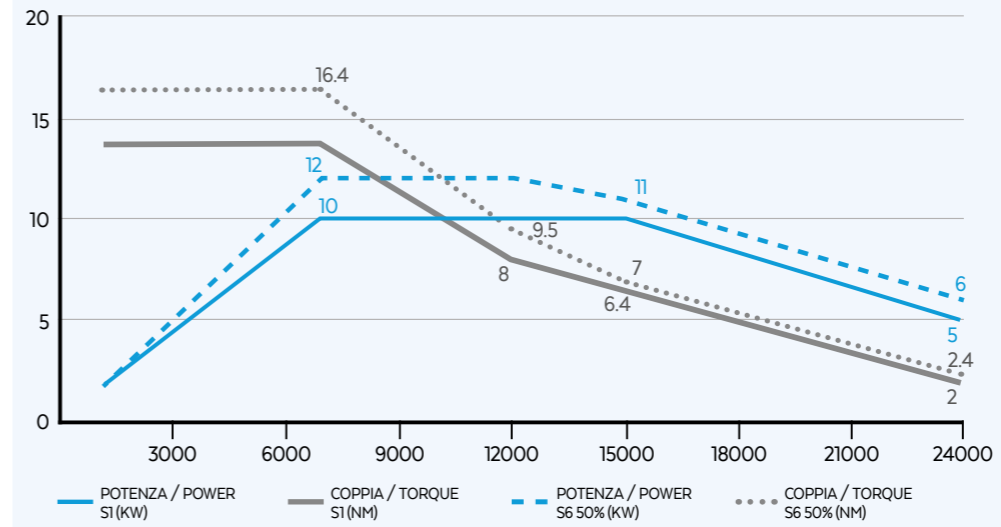
## LAYOUT HSK 63F



## PX/HX-2 10/7 24

## HIGH TORQUE

### PRESTAZIONI / PERFORMANCES



### OPZIONALI / OPTIONALS

- Encoder 1Vpp or TTL
- Bearings temperature monitoring
- Long nose
- Speed monitoring
- Air tool
- Vibration sensor
- Sensor s5
- HSK 63E/63A
- Oil mist/MQL

### SPECIFICHE TECNICHE / TECHNICAL SPECIFICATIONS

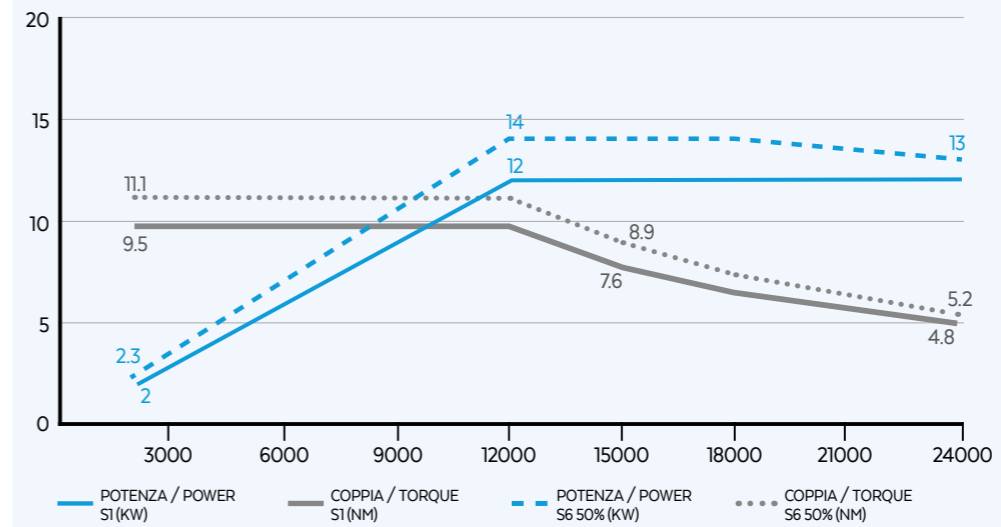
- S1-S6 kW 10/12
- S1-S6 A 21/25
- Pol es 4
- S1-S6 Nm 13.6/16.4
- Volt 380
- Supply inverter
- rpm 24000
- kg 25

### EQUIPAGGIAMENTO / EQUIPMENT

- HSK 63F
- Liquid cooling
- Single effect pneumatic cylinder
- Automatic tool changer
- Ceramic ball bearings
- Labyrinth with air seal
- Sensors s1, s2, s3
- Grease lubrication
- Taper cleaning

## PX/HX-2 12/12 24

### PRESTAZIONI / PERFORMANCES



### OPZIONALI / OPTIONALS

- Encoder 1Vpp or TTL
- Bearings temperature monitoring
- Long nose
- Speed monitoring
- Air tool
- Vibration sensor
- Sensor s5
- HSK 63E/63A
- Oil mist/MQL

### SPECIFICHE TECNICHE / TECHNICAL SPECIFICATIONS

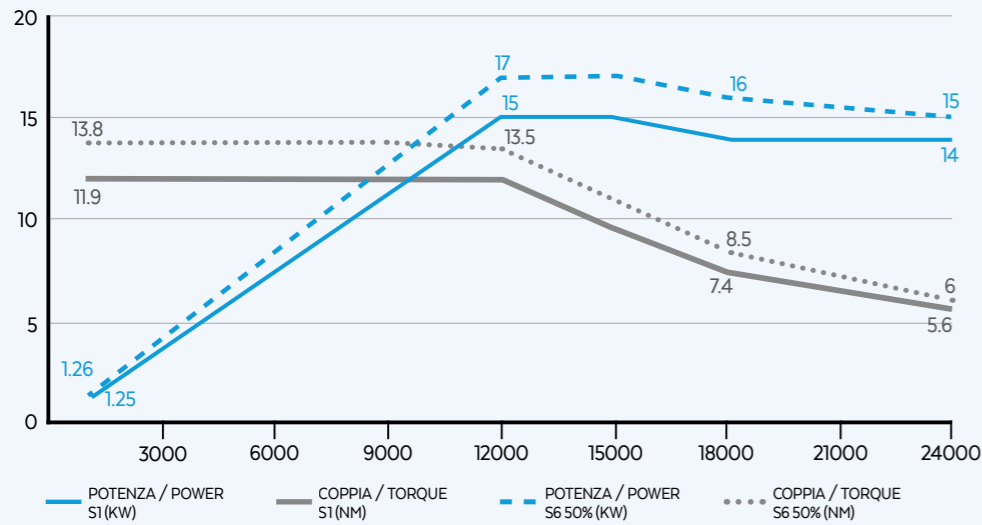
- S1-S6 kW 12/14
- S1-S6 A 26/29
- Pol es 4
- S1-S6 Nm 9.5/11.1
- Volt 380
- Supply inverter
- rpm 24000
- kg 25

### EQUIPAGGIAMENTO / EQUIPMENT

- HSK 63F
- Liquid cooling
- Single effect pneumatic cylinder
- Automatic tool changer
- Ceramic ball bearings
- Labyrinth with air seal
- Sensors s1, s2, s3
- Grease lubrication
- Taper cleaning

PX/HX-2 15/12 24

PRESTAZIONI / PERFORMANCES



OPZIONALI / OPTIONALS

- Encoder 1Vpp or TTL
- Bearings temperature monitoring
- Long nose
- Speed monitoring
- Air tool
- Vibration sensor
- Sensor s5
- HSK 63E/63A
- Oil mist/MQL

SPECIFICHE TECNICHE / TECHNICAL SPECIFICATIONS

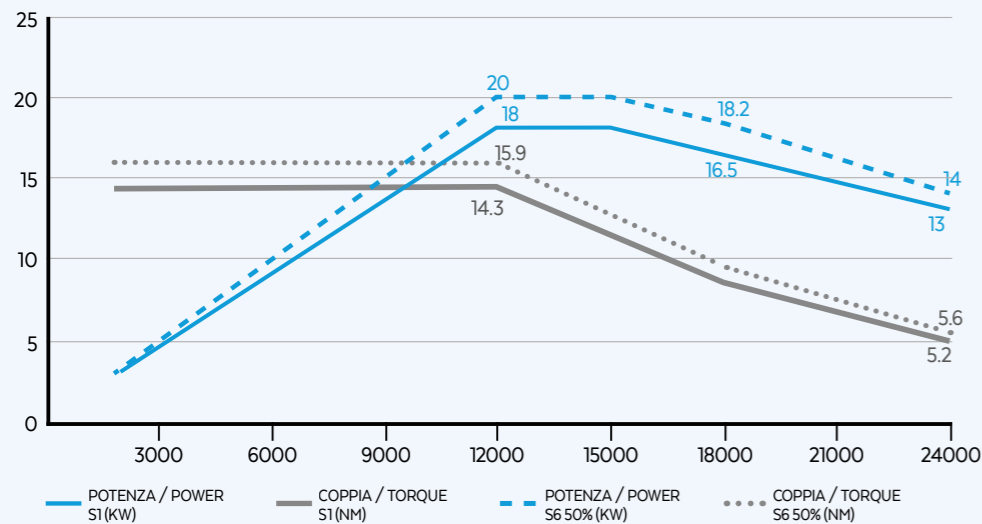
- S1-S6 kW** 15/17
- S1-S6 A** 30/33
- Pol es** 4
- S1-S6 Nm** 11.9/13.8
- Volt** 380
- Supply** inverter
- rpm** 24000
- kg** 25

EQUIPAGGIAMENTO / EQUIPMENT

- HSK 63F
- Liquid cooling
- Single effect pneumatic cylinder
- Automatic tool changer
- Ceramic ball bearings
- Labyrinth with air seal
- Sensors s1, s2, s3
- Grease lubrication
- Taper cleaning

PX/HX-2 18/12 24

PRESTAZIONI / PERFORMANCES



OPZIONALI / OPTIONALS

- Encoder 1Vpp or TTL
- Bearings temperature monitoring
- Long nose
- Speed monitoring
- Air tool
- Vibration sensor
- Sensor s5
- HSK 63E/63A
- Oil mist/MQL

SPECIFICHE TECNICHE / TECHNICAL SPECIFICATIONS

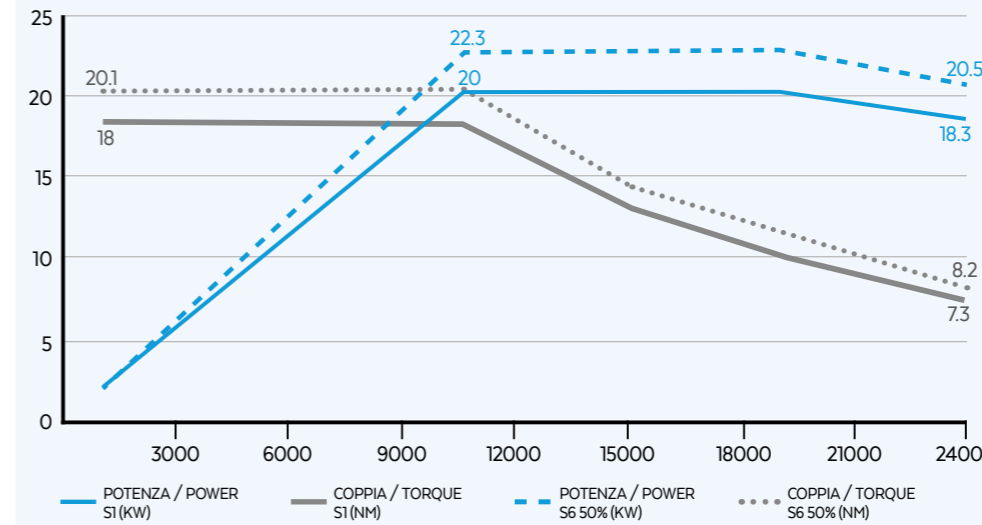
- S1-S6 kW** 18/20
- S1-S6 A** 35/38.5
- Pol es** 4
- S1-S6 Nm** 14.3/15.9
- Volt** 380
- Supply** inverter
- rpm** 24000
- kg** 25

EQUIPAGGIAMENTO / EQUIPMENT

- HSK 63F
- Liquid cooling
- Single effect pneumatic cylinder
- Automatic tool changer
- Ceramic ball bearings
- Labyrinth with air seal
- Sensors s1, s2, s3
- Grease lubrication
- Taper cleaning

PX/HX-2 20/10 24 (SYNCHRONOUS)

PRESTAZIONI / PERFORMANCES



OPZIONALI / OPTIONALS

- Long nose
- Bearings temperature monitoring
- Air tool
- Speed monitoring
- Sensor s5
- Vibration sensor
- Oil mist/MQL
- HSK 63E

SPECIFICHE TECNICHE / TECHNICAL SPECIFICATIONS

- S1-S6 kW** 20/22.3
- S1-S6 A** 48/50
- Pol es** 4
- S1-S6 Nm** 17.8/20.1
- Volt** 380
- Supply** inverter
- rpm** 24000
- kg** 25

EQUIPAGGIAMENTO / EQUIPMENT

- HSK 63A
- Liquid cooling
- Single effect pneumatic cylinder
- Automatic tool changer
- Ceramic ball bearings
- Labyrinth with air seal
- Sensors s1, s2, s3
- Grease lubrication
- Taper cleaning
- Encoder 1Vpp

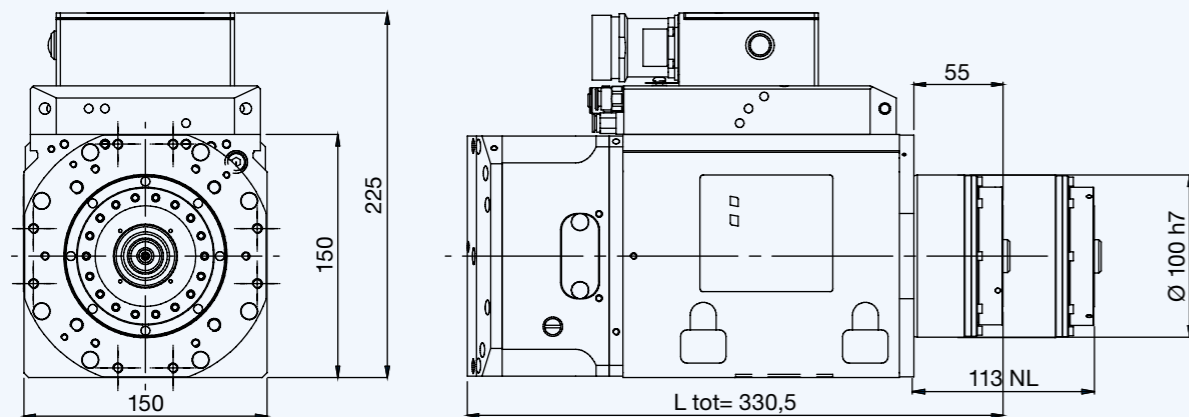


# ROBOTECH HX 3C



SUITABLE FOR PROCESSING ALUMINIUM AND COMPOSITE MATERIALS  
POWER UP TO 20 KW AND HIGH TORQUES  
OPTIMISED LAYOUT FOR 3 AXES MACHINES  
CONNECTION TO THE MACHINE VIA STANDARD COMMERCIAL CONNECTORS  
WIDE RANGE OF CONFIGURATIONS WITH ENCODER, 5 BEARINGS,  
AIR TOOL, MQL AND OIL MIST

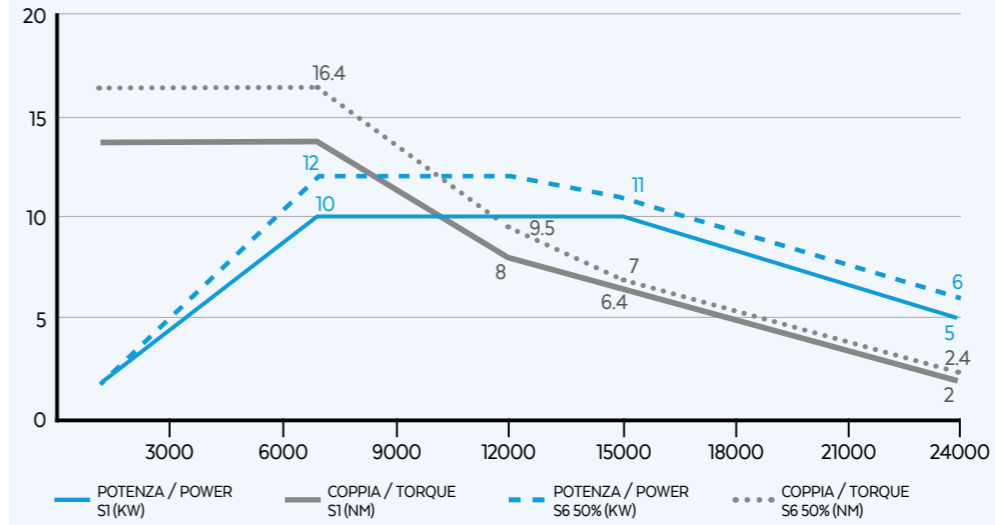
## LAYOUT HSK 63F 3C



## HX-2 10/7 24 3C

## HIGH TORQUE

### PRESTAZIONI / PERFORMANCES



### OPZIONALI / OPTIONALS

- Encoder TVpp or TTL
- Bearings temperature monitoring
- Circular connector CC
- Speed monitoring
- Long nose
- Vibration sensor
- Air tool
- HSK 63E/63A
- Sensors s5
- Oil mist/MQL

### SPECIFICHE TECNICHE / TECHNICAL SPECIFICATIONS

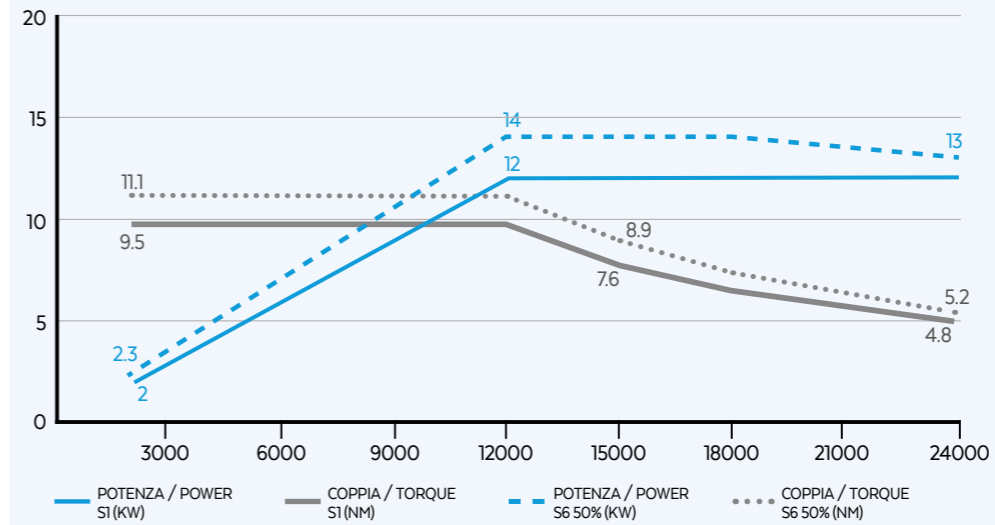
- kW** 10/12
- A** 21/25
- Pol es** 4
- Nm** 13.6/16.4
- Volt** 380
- Supply** inverter
- rpm** 24000
- kg** 25

### EQUIPAGGIAMENTO / EQUIPMENT

- HSK 63F
- Liquid cooling
- Single effect pneumatic cylinder
- Automatic tool changer
- Ceramic ball bearings
- Labyrinth with air seal
- Sensors s1, s2, s3
- Grease lubrication
- Circular male connector
- Taper cleaning

## HX-2 12/12 24 3C

### PRESTAZIONI / PERFORMANCES



### OPZIONALI / OPTIONALS

- Encoder TVpp or TTL
- Bearings temperature monitoring
- Circular connector CC
- Speed monitoring
- Long nose
- Vibration sensor
- Air tool
- HSK 63E/63A
- Sensors s5
- Oil mist/MQL

### SPECIFICHE TECNICHE / TECHNICAL SPECIFICATIONS

- kW** 12/14
- A** 26/29
- Pol es** 4
- Nm** 9.5/11.1
- Volt** 380
- Supply** inverter
- rpm** 24000
- kg** 25

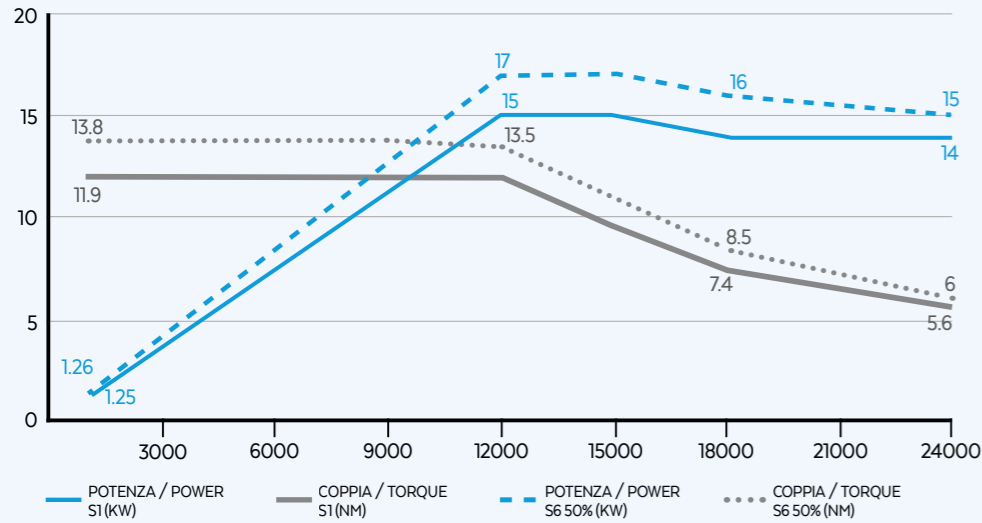
### EQUIPAGGIAMENTO / EQUIPMENT

- HSK 63F
- Liquid cooling
- Single effect pneumatic cylinder
- Automatic tool changer
- Ceramic ball bearings
- Labyrinth with air seal
- Sensors s1, s2, s3
- Grease lubrication
- Circular male connector
- Taper cleaning



**HX-2 15/12 24 3C**

PRESTAZIONI / PERFORMANCES



OPZIONALI / OPTIONALS

- Encoder TVpp or TTL
- Circular connector CC
- Long nose
- Air tool
- Sensor s5
- Bearings temperature monitoring
- Speed monitoring
- Vibration sensor
- HSK 63E/63A
- Oil mist/MQL

SPECIFICHE TECNICHE / TECHNICAL SPECIFICATIONS

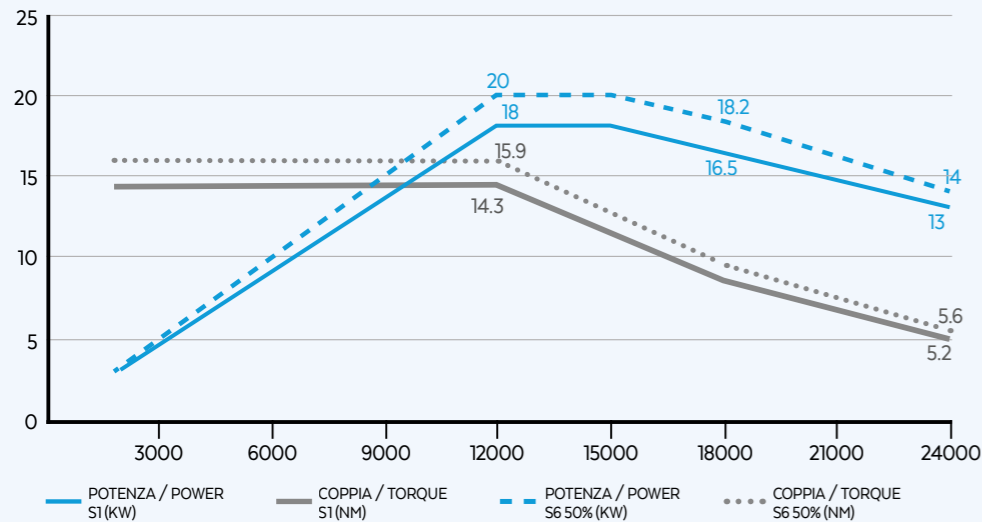
- S1-S6 kW** 15/17
- S1-S6 A** 30/33
- Pol es** 4
- S1-S6 Nm** 11.9/13.8
- Volt** 380
- Supply** inverter
- rpm** 24000
- kg** 25

EQUIPAGGIAMENTO / EQUIPMENT

- HSK 63F
- Liquid cooling
- Single effect pneumatic cylinder
- Automatic tool changer
- Ceramic ball bearings
- Labyrinth with air seal
- Sensors s1, s2, s3
- Grease lubrication
- Circular male connector
- Taper cleaning

**HX-2 18/12 24 3C**

PRESTAZIONI / PERFORMANCES



OPZIONALI / OPTIONALS

- Encoder TVpp or TTL
- Circular connector CC
- Long nose
- Air tool
- Sensor s5
- Bearings temperature monitoring
- Speed monitoring
- Vibration sensor
- HSK 63E/63A
- Oil mist/MQL

SPECIFICHE TECNICHE / TECHNICAL SPECIFICATIONS

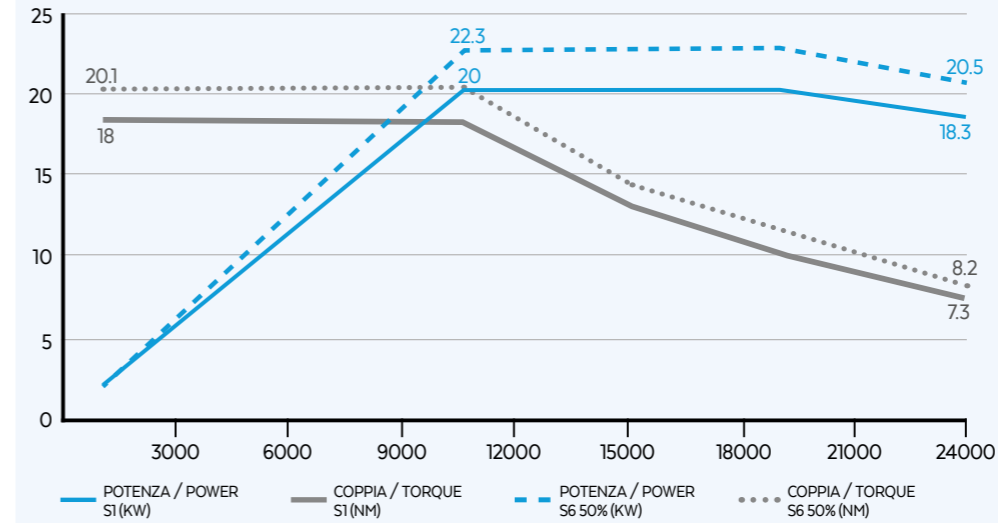
- S1-S6 kW** 18/20
- S1-S6 A** 35/38.5
- Pol es** 4
- S1-S6 Nm** 14.3/15.9
- Volt** 380
- Supply** inverter
- rpm** 24000
- kg** 25

EQUIPAGGIAMENTO / EQUIPMENT

- HSK 63F
- Liquid cooling
- Single effect pneumatic cylinder
- Automatic tool changer
- Ceramic ball bearings
- Labyrinth with air seal
- Sensors s1, s2, s3
- Grease lubrication
- Circular male connector
- Taper cleaning

**HX-2 20/10 24 3C (SYNCHRONOUS)**

PRESTAZIONI / PERFORMANCES



OPZIONALI / OPTIONALS

- Long nose
- Air tool
- Sensor s5
- Oil mist/MQL
- Bearings temperature monitoring
- Speed monitoring
- Vibration sensor
- HSK 63E

SPECIFICHE TECNICHE / TECHNICAL SPECIFICATIONS

- S1-S6 kW** 20/22.3
- S1-S6 A** 48/50
- Pol es** 4
- S1-S6 Nm** 17.8/20.1
- Volt** 380
- Supply** inverter
- rpm** 24000
- kg** 25

EQUIPAGGIAMENTO / EQUIPMENT

- HSK 63A
- Liquid cooling
- Single effect pneumatic cylinder
- Automatic tool changer
- Ceramic ball bearings
- Labyrinth with air seal
- Sensors s1, s2, s3
- Grease lubrication
- Circular male connector
- Taper cleaning
- Encoder TVpp



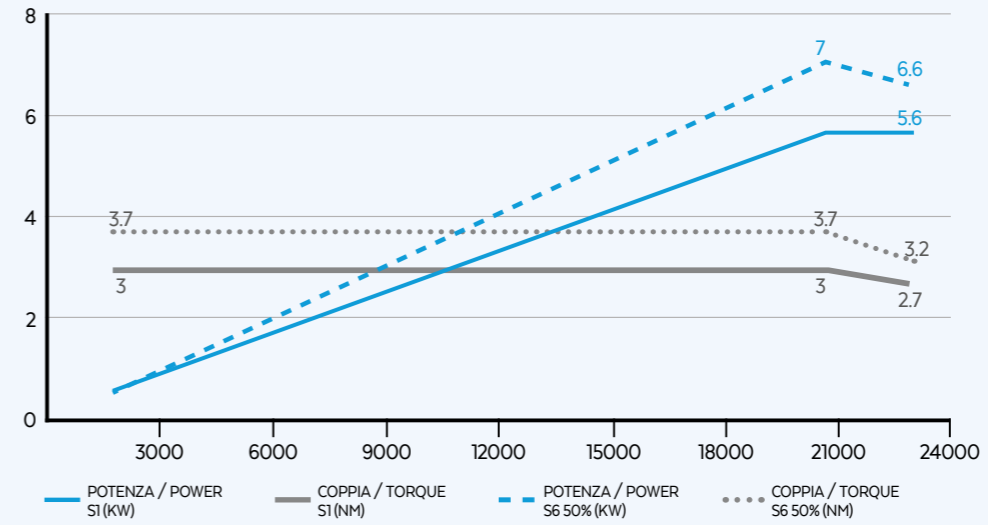
# ROBOTECH HD



SUITABLE FOR PROCESSING ALUMINIUM AND COMPOSITE MATERIALS  
 EXTREME COMPACTNESS AND POWER DENSITY  
 OPTIMAL LAYOUT FOR BI-ROTATIONAL HEADS AT 90°  
 TWO INDEPENDENT CHANNELS FOR PIECE LUBRICATION  
 ARRANGEMENT FOR AGGREGATES

## HD-2 5.6/18 20

### PRESTAZIONI / PERFORMANCES



### OPZIONALI / OPTIONALS

- Encoder TVpp or TTL
- Sensor s5

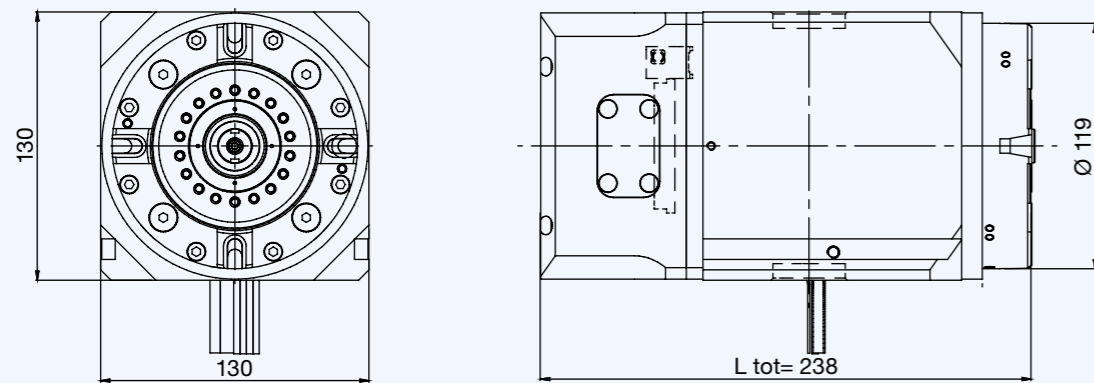
### SPECIFICHE TECNICHE / TECHNICAL SPECIFICATIONS

- S1-S6 kW 5.6/7
- S1-S6 A 12/14
- Pol es 4
- S1-S6 Nm 3/3.7
- Volt 380
- Supply inverter
- rpm 20000
- kg 18

### EQUIPAGGIAMENTO / EQUIPMENT

- HSK 50F
- Liquid cooling
- Single effect pneumatic cylinder
- Automatic tool changer
- Ceramic ball bearings
- Labyrinth with air seal
- Sensors s1, s2, s3
- Grease lubrication
- Taper cleaning

### LAYOUT HSK 50F

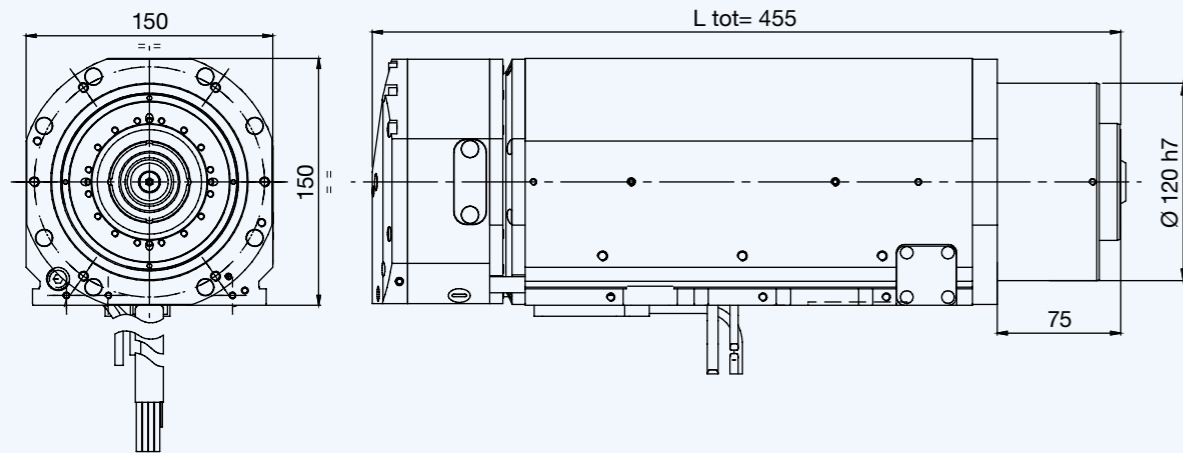


# ROBOTECH QT



SUITABLE FOR PROCESSING WOODEN BEAMS  
POWER UP TO 25 KW AND HIGH TORQUES  
OPTIMAL LAYOUT FOR BI-ROTATIONAL HEADS AT 90° AND 50°

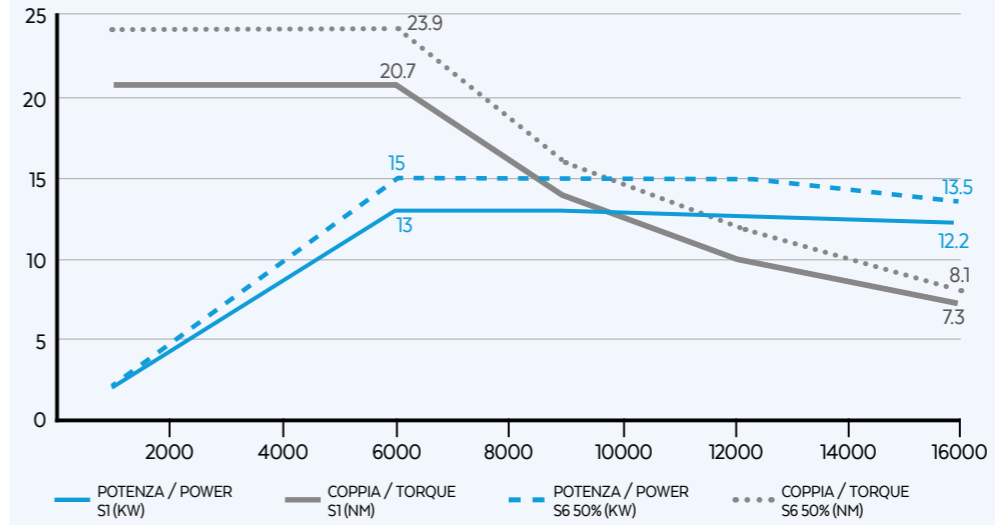
## LAYOUT HSK 63E



## QT-2 13/6 16

## HIGH TORQUE

### PRESTAZIONI / PERFORMANCES



### OPZIONALI / OPTIONALS



### SPECIFICHE TECNICHE / TECHNICAL SPECIFICATIONS

<b>S1-S6 kW</b> 13/15	<b>S1-S6 A</b> 30/35	<b>Pol es</b> 4
<b>S1-S6 Nm</b> 20.7/23.9	<b>Volt</b> 400	<b>Supply</b> inverter
<b>rpm</b> 16000	<b>kg</b> 36	

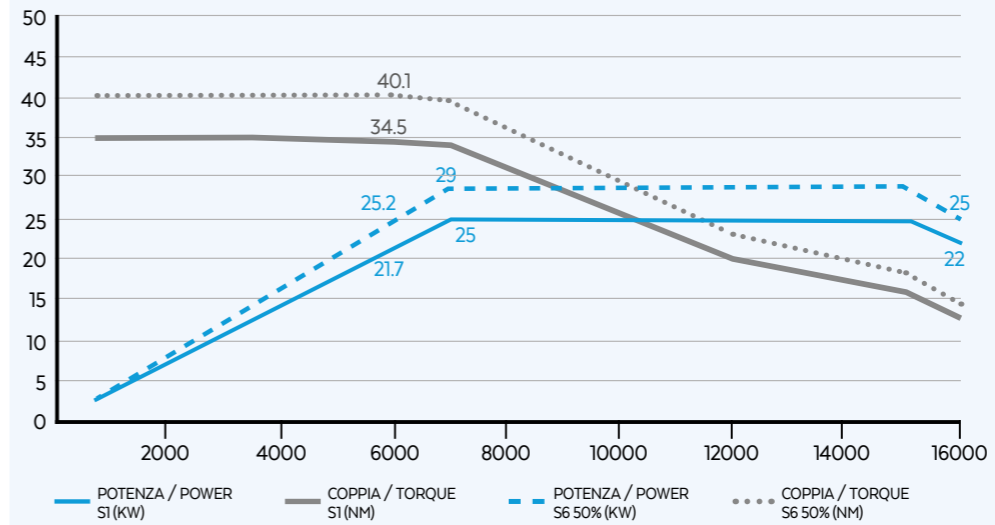
### EQUIPAGGIAMENTO / EQUIPMENT

HSK 63E	Liquid cooling	Single effect pneumatic cylinder	Automatic tool changer
Ceramic ball bearings	Labyrinth with air seal	Sensors	Grease lubrication
Taper cleaning			

## QT-2 25/7 16 (SYNCHRONOUS)

## HIGH TORQUE

### PRESTAZIONI / PERFORMANCES



### OPZIONALI / OPTIONALS



### SPECIFICHE TECNICHE / TECHNICAL SPECIFICATIONS

<b>S1-S6 kW</b> 25/29	<b>S1-S6 A</b> 47/56	<b>Pol es</b> 4
<b>S1-S6 Nm</b> 34.5/40.1	<b>Volt</b> 400	<b>Supply</b> inverter
<b>rpm</b> 16000	<b>kg</b> 36	

### EQUIPAGGIAMENTO / EQUIPMENT

HSK 63E	Liquid cooling	Single effect pneumatic cylinder	Automatic tool changer
Ceramic ball bearings	Labyrinth with air seal	Sensors	Grease lubrication
Taper cleaning			

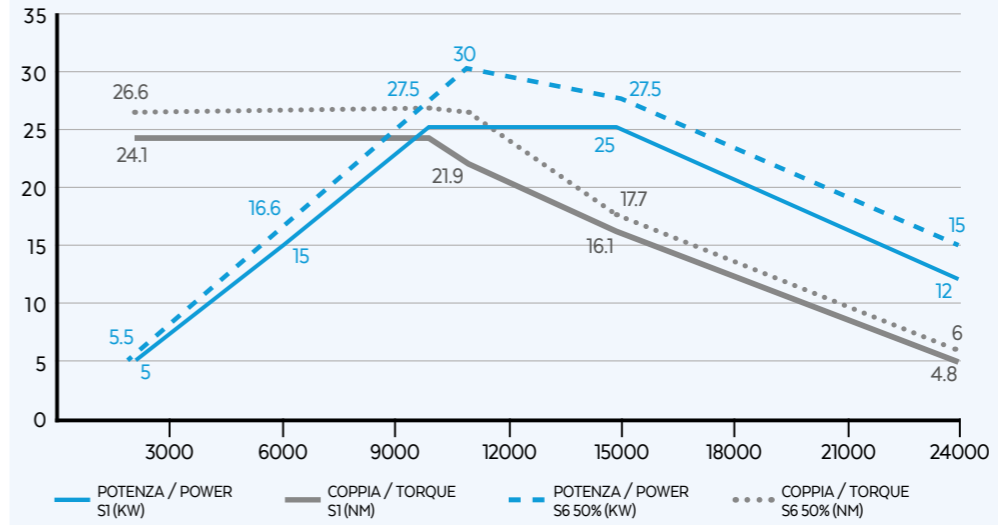
# ROBOTECH HT

SUITABLE FOR PROCESSING WOOD AND ALUMINIUM  
 VERY POWERFUL AND HIGH TORQUES UP TO 25 KW WITH ASYNCHRONOUS TECHNOLOGY  
 OPTIMISED LAYOUT FOR 3 AND 5 AXES MACHINES  
 WIDE RANGE OF CONFIGURATIONS WITH ENCODER, 5 BEARINGS,  
 AIR TOOL, MQL AND OIL MIST



## HT-2 25/10 24

### PRESTAZIONI / PERFORMANCES



### OPZIONALI / OPTIONALS

- Encoder TVpp or TTL
- Sensor s5
- Oil mist/MQL
- Bearings temperature monitoring
- Air tool
- HSK 63A

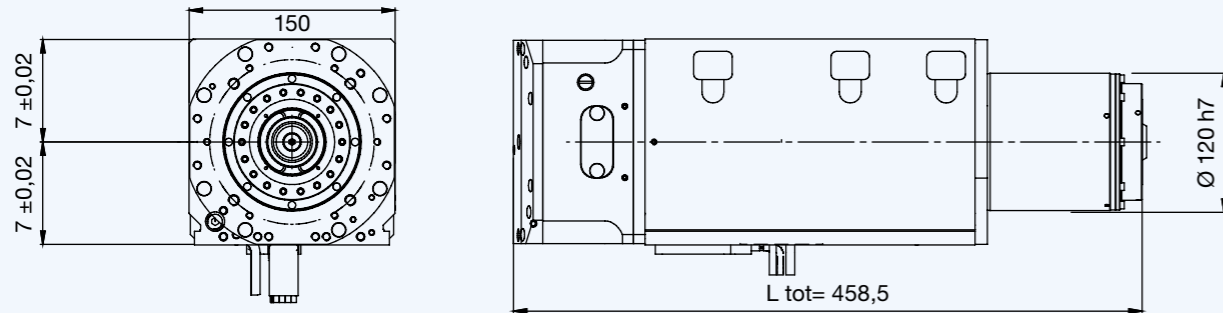
### SPECIFICHE TECNICHE / TECHNICAL SPECIFICATIONS

- S1-S6 kW 25/30
- S1-S6 A 53/60
- Pol es 4
- S1-S6 Nm 24.2/26.6
- Volt 380
- Supply inverter
- rpm 24000
- kg 42

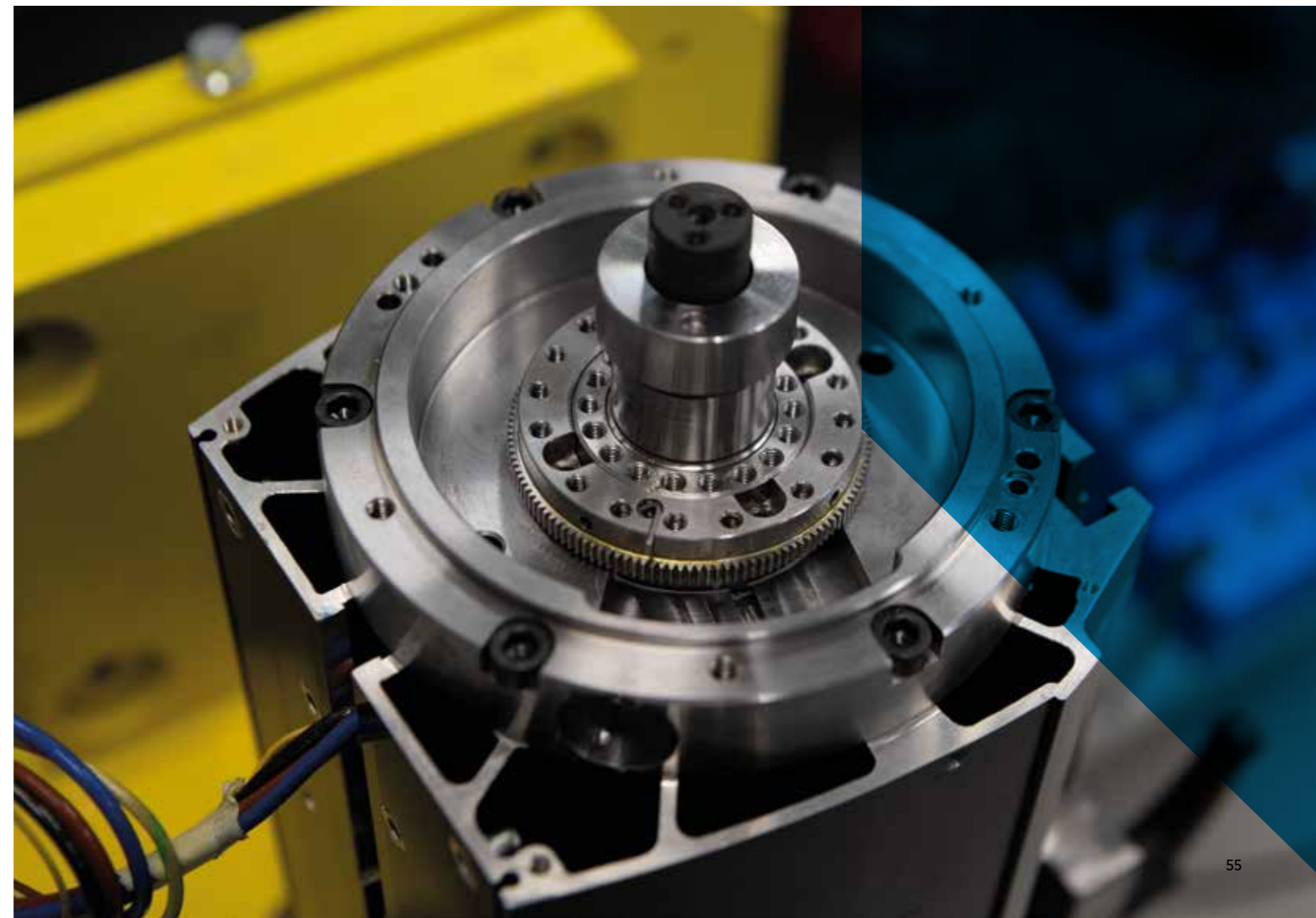
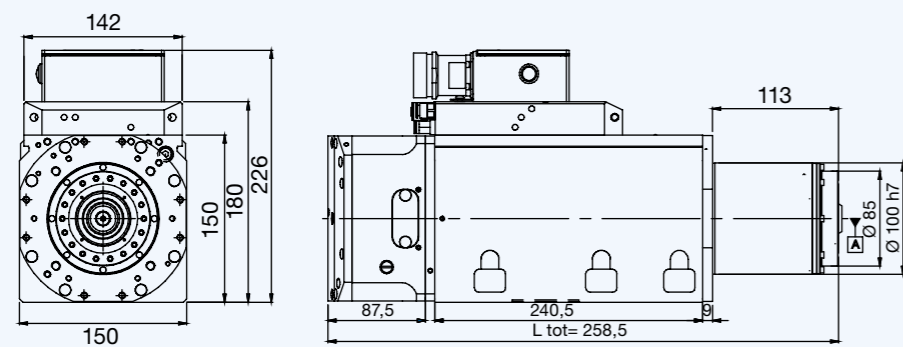
### EQUIPAGGIAMENTO / EQUIPMENT

- HSK 63E
- Liquid cooling
- Single effect pneumatic cylinder
- Automatic tool changer
- Ceramic ball bearings
- Labyrinth with air seal
- Sensors s1, s2, s3
- Grease lubrication
- Circular male connector
- Taper cleaning

### LAYOUT HSK 63E



### LAYOUT HSK 63E 3C



# ROBOTECH QM

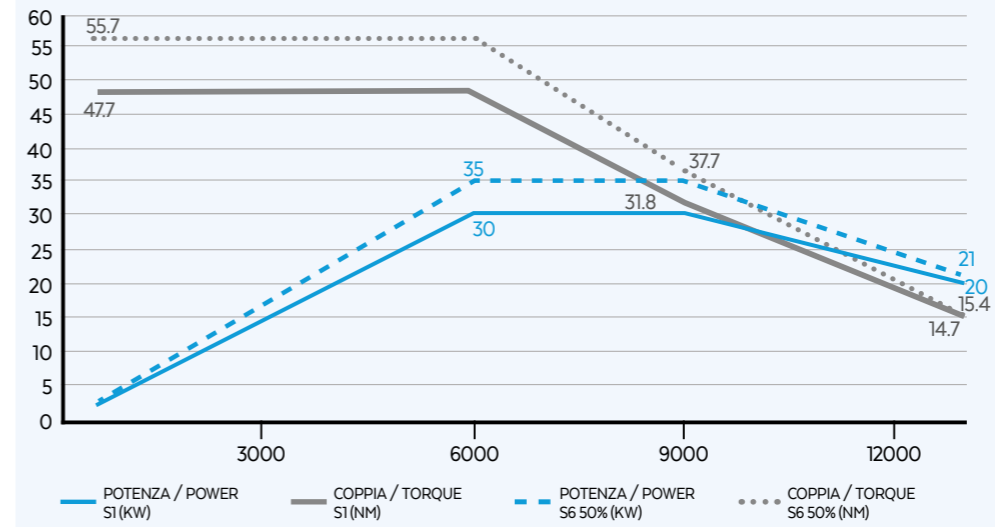


SUITABLE FOR INTENSE PROCESSING OF WOOD, ALLOYS AND ALUMINIUM  
POWER UP TO 30KW AND HIGH TORQUES  
VAST RANGE OF CONFIGURATIONS WITH ENCODER, AIR TOOL, MQL AND OIL MIST

QM-2 30/6 13

HIGH TORQUE

PRESTAZIONI / PERFORMANCES



OPZIONALI / OPTIONALS

- Air tool
- Bearings temperature monitoring
- Sensor s5
- Speed monitoring
- Oil mist/MQL
- Vibration sensor
- HSK 80F

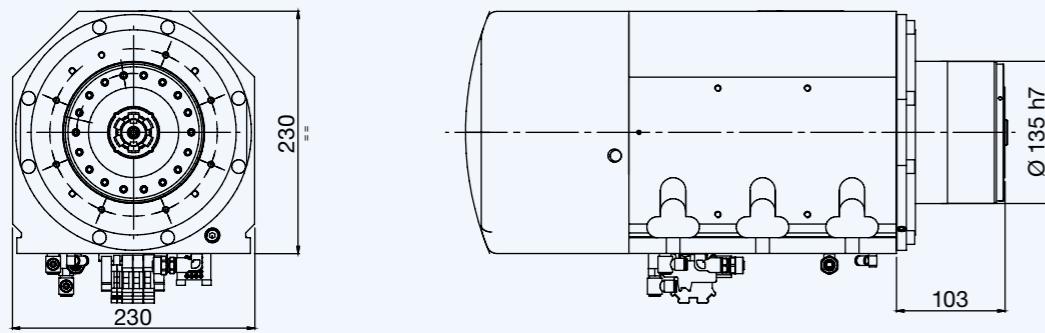
SPECIFICHE TECNICHE / TECHNICAL SPECIFICATIONS

- kW** 30/35
- A** 59/65
- Pol es** 4
- Nm** 47.7/55.7
- Volt** 380
- Supply** inverter
- rpm** 13000
- kg** 75

EQUIPAGGIAMENTO / EQUIPMENT

- HSK 63A
- Liquid cooling
- Single effect pneumatic cylinder
- Automatic tool changer
- Ceramic ball bearings
- Labyrinth with air seal
- Sensors s1, s2, s3
- Grease lubrication
- Quick connection PP
- Taper cleaning

LAYOUT HSK 63A

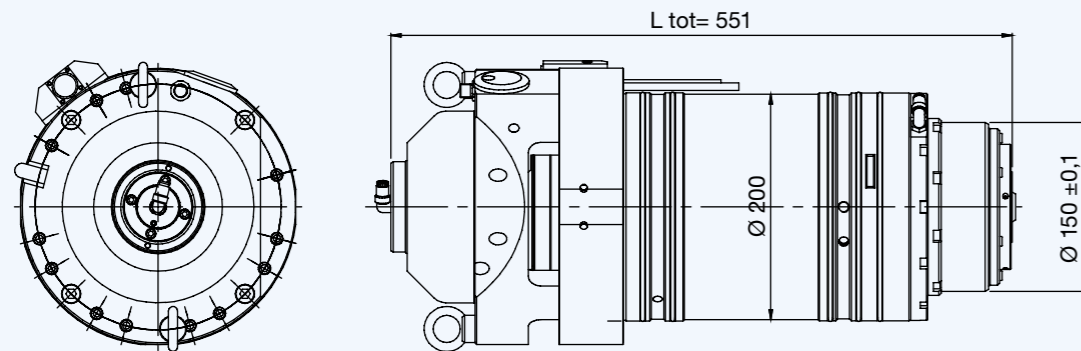


# CUSTOMTECH KX



SUITABLE FOR PROCESSING METAL, ALLOYS AND ALUMINIUM  
HIGH TORQUE DENSITY UP TO 100 NM  
COOLING CIRCUIT OF FRONT BEARINGS  
AVAILABLE IN AIR TOOL, MQL, OIL MIST AND CTS VERSION

## LAYOUT HSK 63A

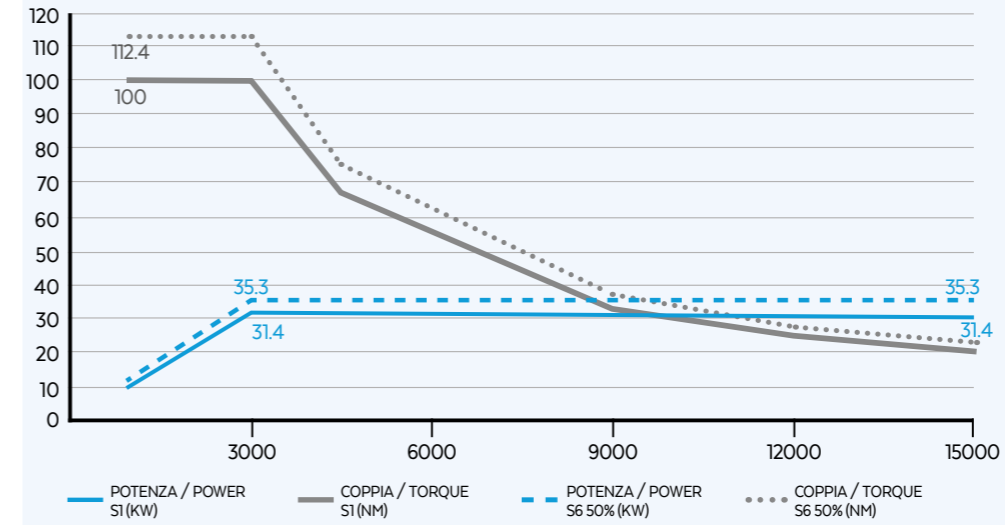


## ALTRI LAYOUT / OTHER LAYOUTS

	$\Delta L$	L tot
NL*	+58 mm	

## KX-2 31/4.5 15

### PRESTAZIONI / PERFORMANCES



### OPZIONALI / OPTIONALS

- Encoder TVpp
- CTS lubrication
- Air tool
- Oil mist/MQL

### SPECIFICHE TECNICHE / TECHNICAL SPECIFICATIONS

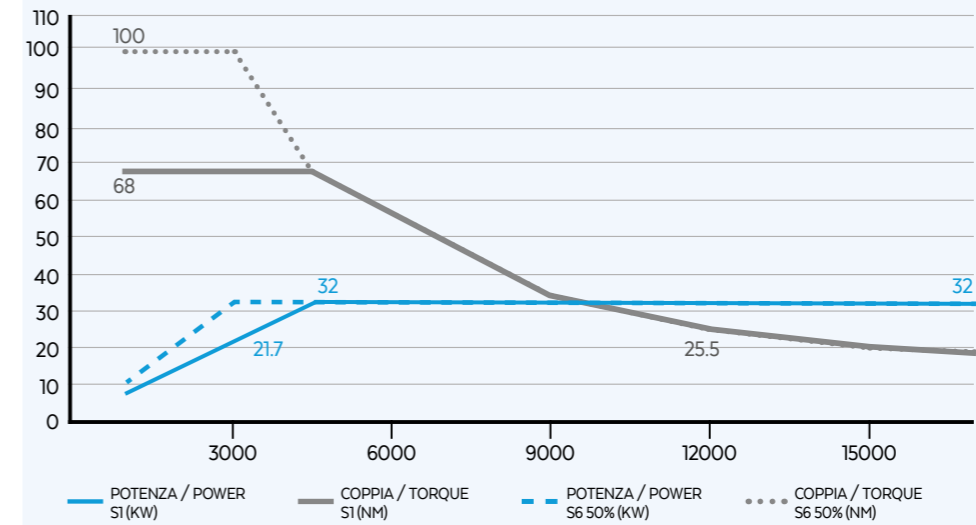
- S1-S6 kW 31/35.3
- S1-S6 A 73/113
- Pol es 4
- S1-S6 Nm 68/100
- Volt 400
- Supply inverter
- rpm 15000
- kg 100

### EQUIPAGGIAMENTO / EQUIPMENT

- HSK 63A
- Liquid cooling
- Single effect pneumatic cylinder
- Automatic tool changer
- Ceramic ball bearings
- Labyrinth with air seal
- Sensors s1, s2
- Grease lubrication
- Taper cleaning

## KX-2 32/4.5 17

### PRESTAZIONI / PERFORMANCES



### OPZIONALI / OPTIONALS

- Encoder TVpp
- CTS lubrication
- Air tool
- Oil mist/MQL

### SPECIFICHE TECNICHE / TECHNICAL SPECIFICATIONS

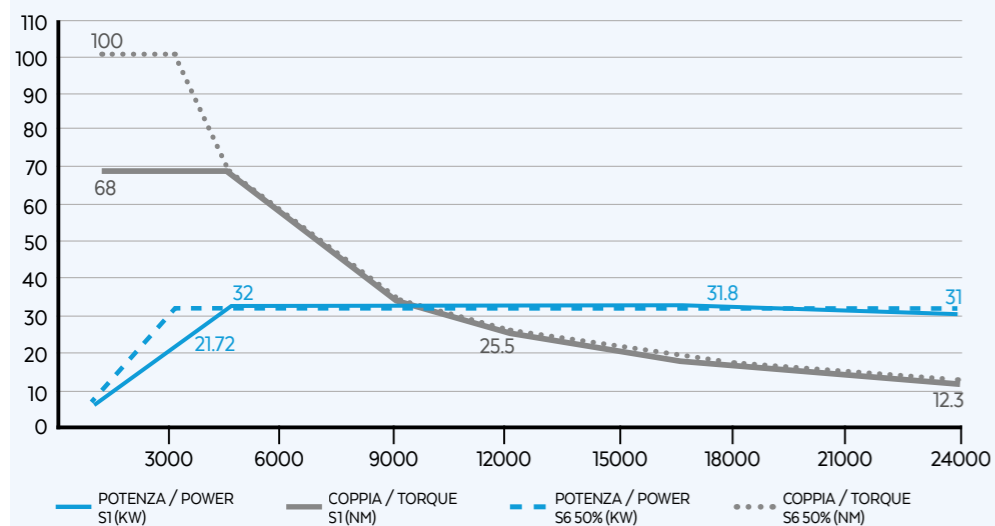
- S1-S6 kW 32/32
- S1-S6 A 73/113
- Pol es 4
- S1-S6 Nm 68/100
- Volt 400
- Supply inverter
- rpm 17000
- kg 100

### EQUIPAGGIAMENTO / EQUIPMENT

- HSK 63A
- Liquid cooling
- Single effect pneumatic cylinder
- Automatic tool changer
- Ceramic ball bearings
- Labyrinth with air seal
- Sensors s1, s2
- Grease lubrication
- Taper cleaning

KX-2 32/4.5 24

PRESTAZIONI / PERFORMANCES



OPZIONALI / OPTIONALS

- Encoder 1Vpp
- Air tool
- Long nose
- CTS lubrication
- Oil mist/MQL

SPECIFICHE TECNICHE / TECHNICAL SPECIFICATIONS

- 32/32
- 73/113
- 4
- 68/100
- 400
- inverter
- 24000
- 100

EQUIPAGGIAMENTO / EQUIPMENT

- HSK 63A
- Liquid cooling
- Single effect pneumatic cylinder
- Automatic tool changer
- Ceramic ball bearings
- Labyrinth with air seal
- Sensors s1, s2
- Grease lubrication
- Taper cleaning

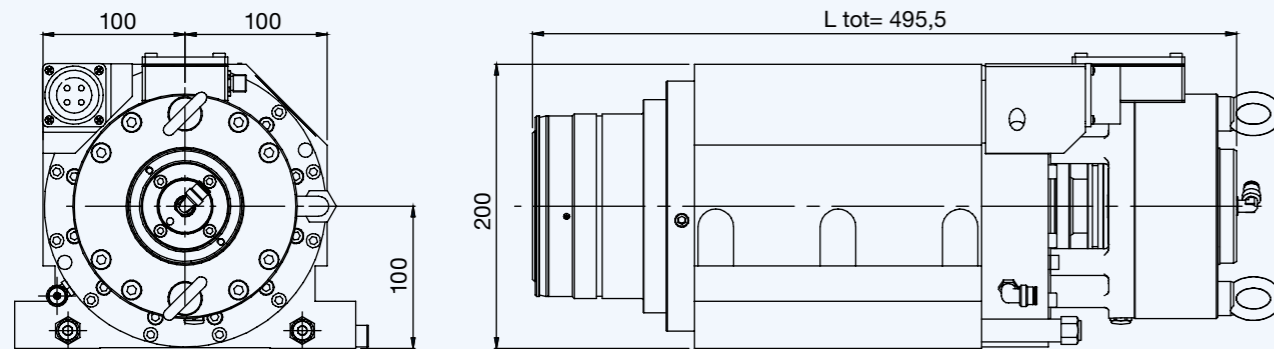


# CUSTOMTECH MG



SUITABLE FOR PROCESSING GLASS AND MARBLE  
HIGH TORQUE DENSITY  
WIDE RANGE OF POWERS UP TO 30 KW  
AVAILABLE WITH TOOL AIR BLOW AND CTS

## LAYOUT ISO 40

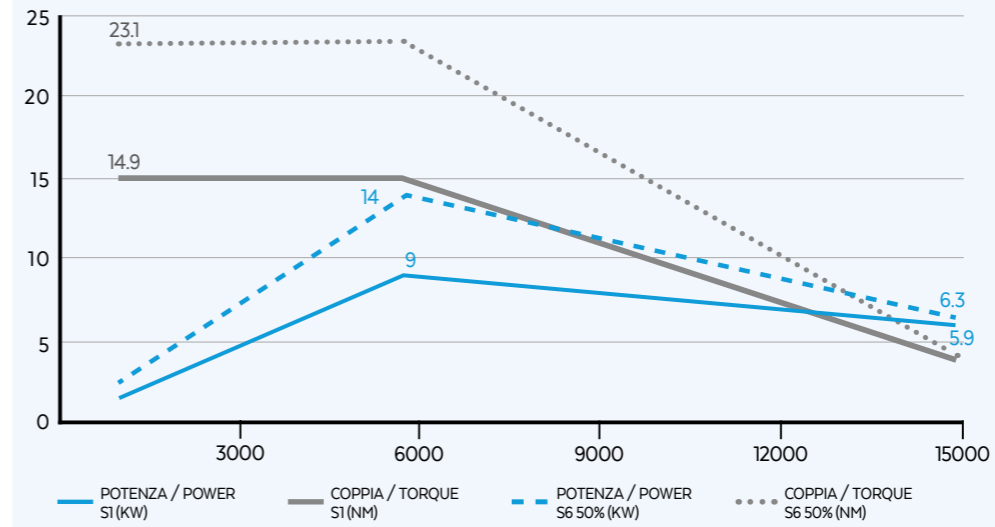


## ALTRI LAYOUT / OTHER LAYOUTS

	$\Delta L$	L tot
Encoder (1 Vpp or TTL)	0 mm (Solo 1 VPP)	/

## MG-2 9/6 15

### PRESTAZIONI / PERFORMANCES



### OPZIONALI / OPTIONALS



### SPECIFICHE TECNICHE / TECHNICAL SPECIFICATIONS

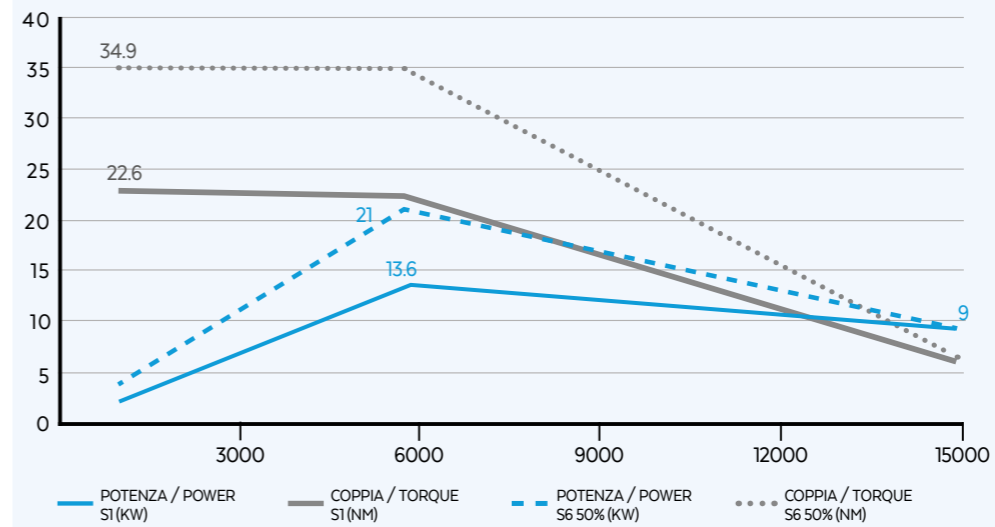
**S1-S6 kW** 9/14  
**S1-S6 Nm** 14.9/23.1  
**rpm** 15000  
**S1-S6 A** 24/33  
**Volt** 380  
**kg** 90  
**Pol es** 4  
**Supply** inverter

### EQUIPAGGIAMENTO / EQUIPMENT

**ISO 40**  
**Liquid cooling**  
**Ceramic ball bearings**  
**Taper cleaning**  
**Single effect cylinder**  
**Labyrinth with air seal**  
**Sensors s1, s2**  
**Automatic tool changer**  
**Grease lubrication**

## MG-2 13.5/6 15

### PRESTAZIONI / PERFORMANCES



### OPZIONALI / OPTIONALS



### SPECIFICHE TECNICHE / TECHNICAL SPECIFICATIONS

**S1-S6 kW** 13.6/21  
**S1-S6 Nm** 22.6/34.9  
**rpm** 15000  
**S1-S6 A** 32/34.9  
**Volt** 380  
**kg** 90  
**Pol es** 4  
**Supply** inverter

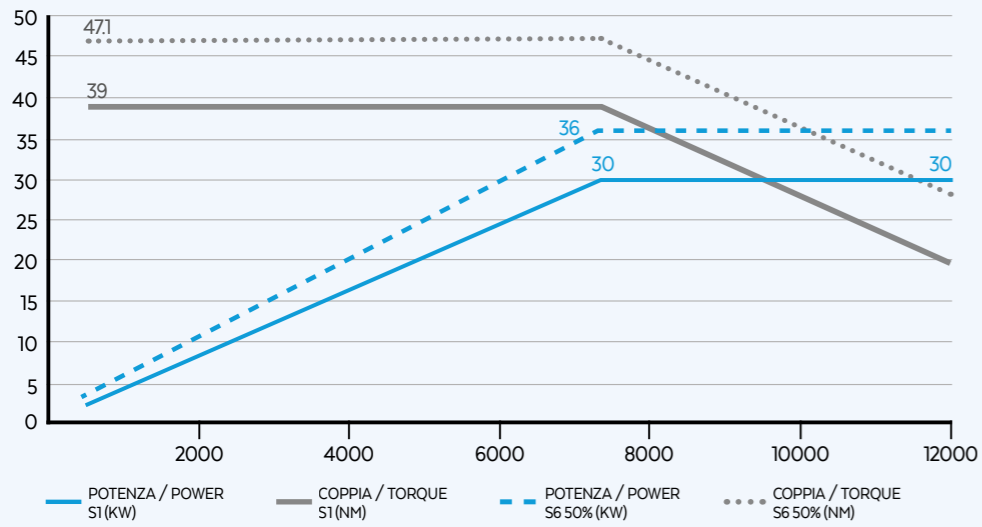
### EQUIPAGGIAMENTO / EQUIPMENT

**ISO 40**  
**Liquid cooling**  
**Ceramic ball bearings**  
**Taper cleaning**  
**Single effect cylinder**  
**Labyrinth with air seal**  
**Sensors s1, s2**  
**Automatic tool changer**  
**Grease lubrication**



MG 30/7.5 12

PRESTAZIONI / PERFORMANCES



OPZIONALI / OPTIONALS

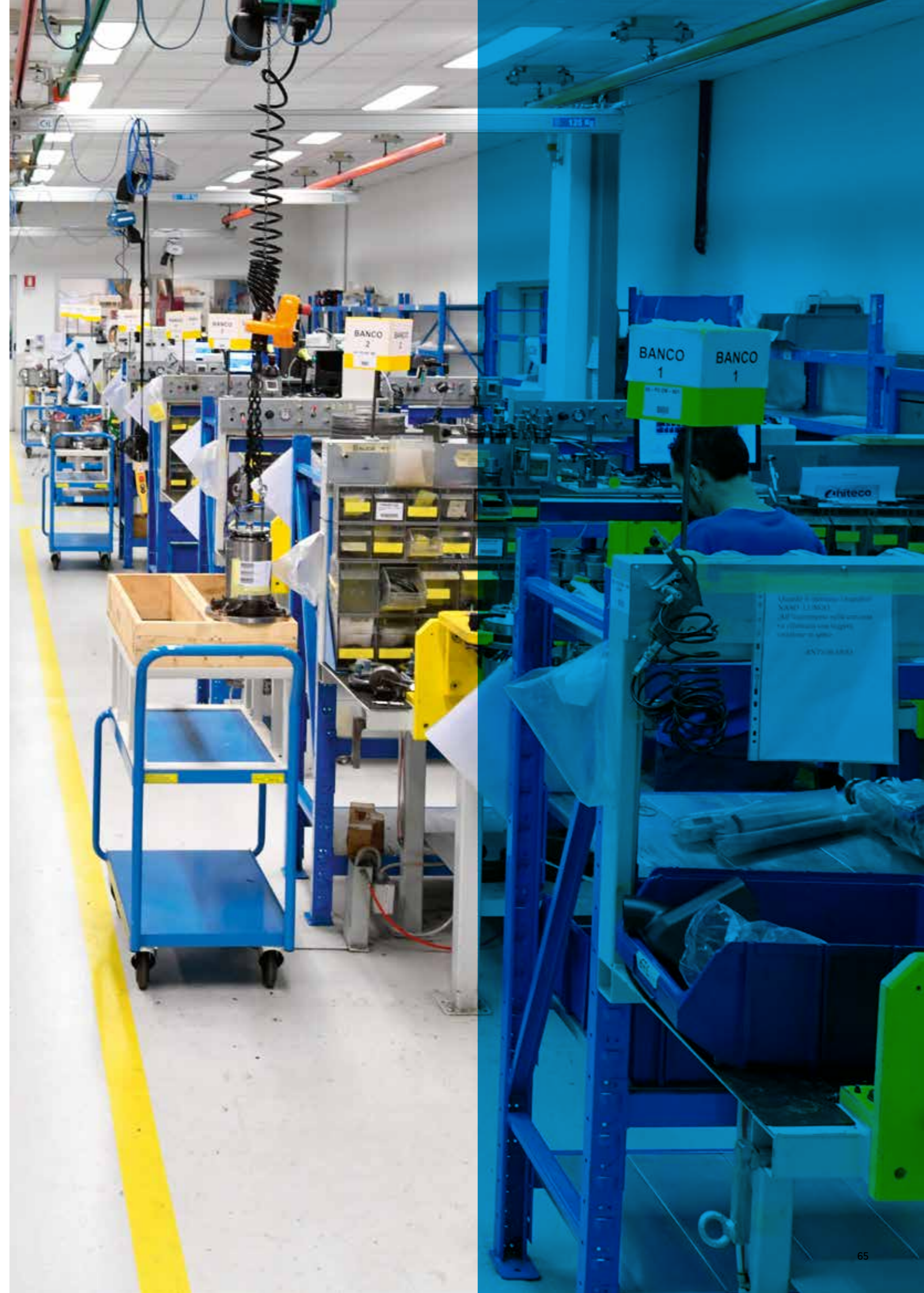


SPECIFICHE TECNICHE / TECHNICAL SPECIFICATIONS

<b>S1-S6</b> <b>kW</b> 30/36	<b>S1-S6</b> <b>A</b> 66/78	<b>Pol</b> <b>es</b> 4
<b>S1-S6</b> <b>Nm</b> 39/47.1	<b>Volt</b> 380	<b>Sup</b> <b>ply</b> inverter
<b>rpm</b> 12000	<b>kg</b> 73	

EQUIPAGGIAMENTO / EQUIPMENT

ISO 40	Liquid cooling	Single effect cylinder	Automatic tool changer
Ceramic ball bearings	Labyrinth with air seal	Sensors s1, s2	Grease lubrication
Taper cleaning			



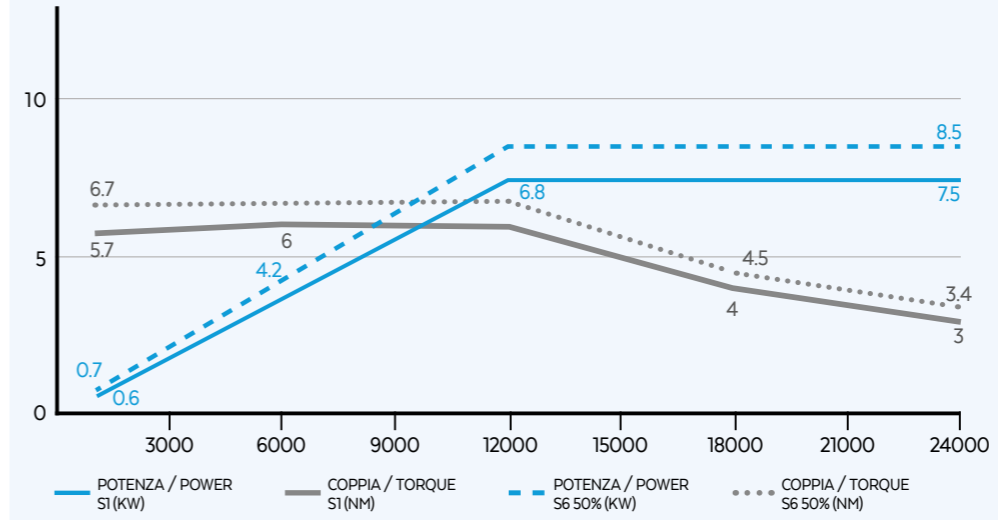
MULTITECH  
MA/ML



SUITABLE FOR WORKING IN DUST ENVIRONMENTS AND FOR LATEST MATERIALS  
EASY ASSEMBLING ON 3-AXIS AND 5-AXIS APPLICATIONS  
HIGH EFFICIENCY COMPRESSED AIR COOLING  
LIQUID-COOLED SPINDLES ARE ALSO AVAILABLE TO BE USED FOR HEAVY AND INTENSIVE PROCESSES

MA-1C 7.5/12 24

PRESTAZIONI / PERFORMANCES



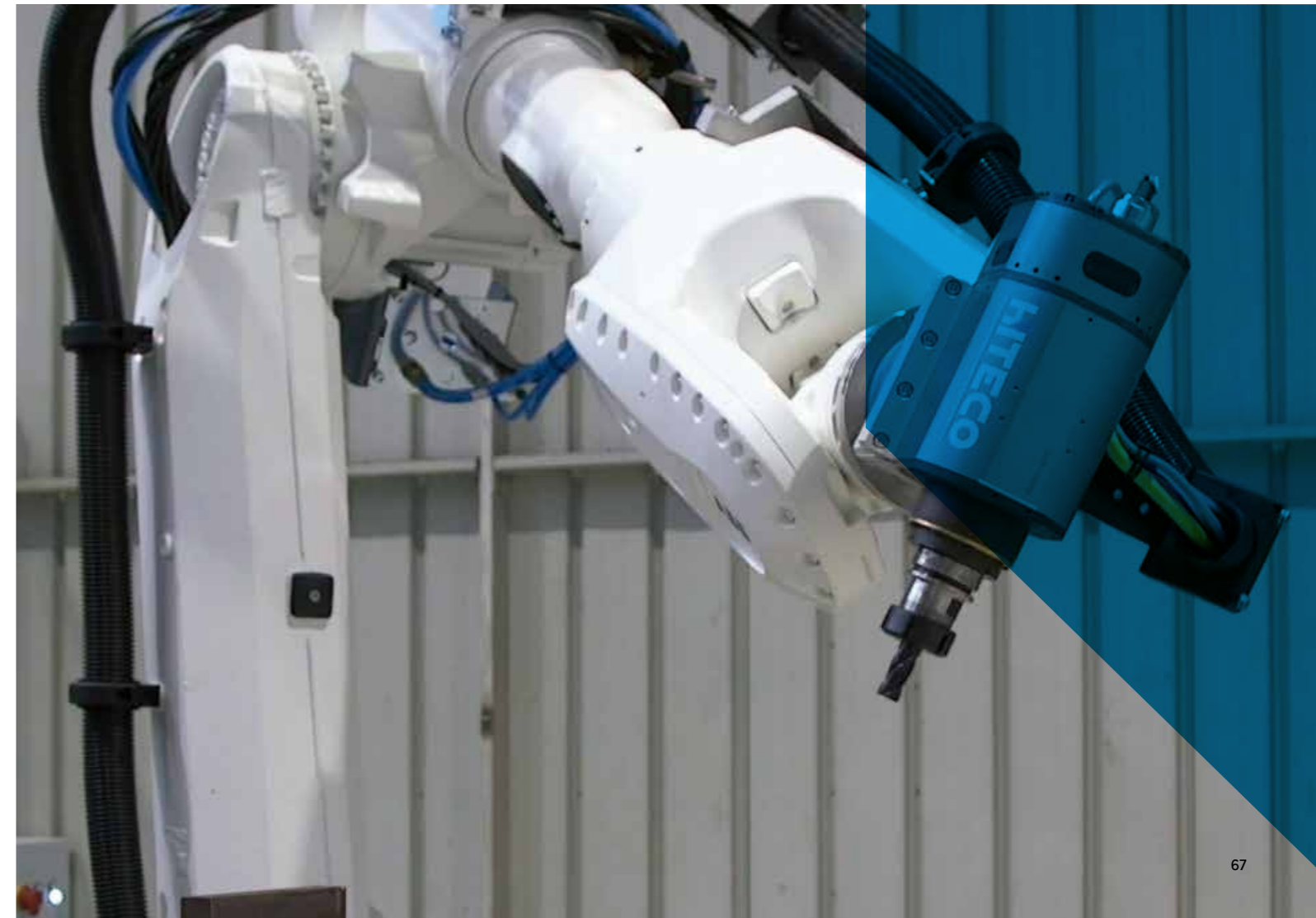
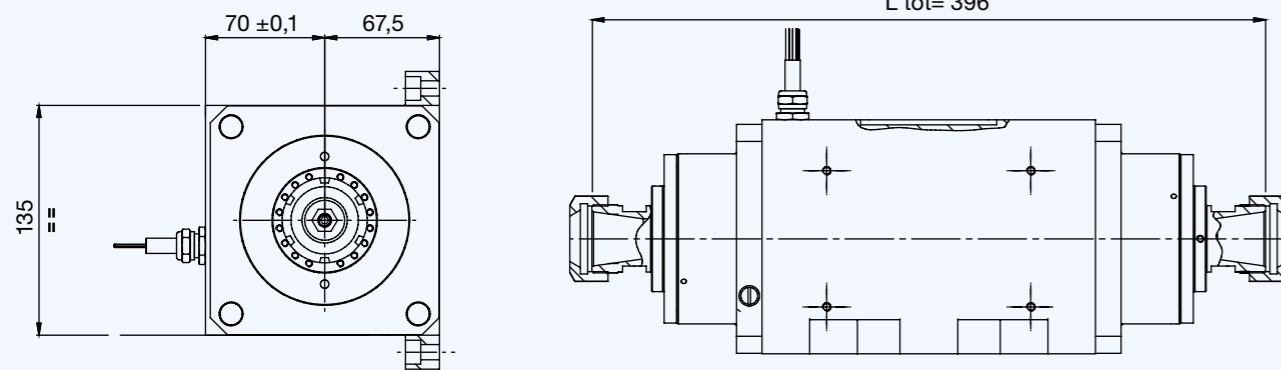
SPECIFICHE TECNICHE / TECHNICAL SPECIFICATIONS

<b>S1-S6</b> <b>kW</b> 7.5/8.5	<b>S1-S6</b> <b>A</b> 16/17	<b>Pol</b> <b>es</b> 4
<b>S1-S6</b> <b>Nm</b> 6/6.8	<b>Volt</b> 380	<b>Sup</b> <b>ply</b> inverter
<b>rpm</b> 24000	<b>kg</b> 22	

EQUIPAGGIAMENTO / EQUIPMENT

Ceramic ball bearings	Pressed air cooling	Manual tool changer	Grease lubrication
ER 32 DX - ER 32DX/SX	Labyrinth with air seal		

LAYOUT ER32 DX-SX



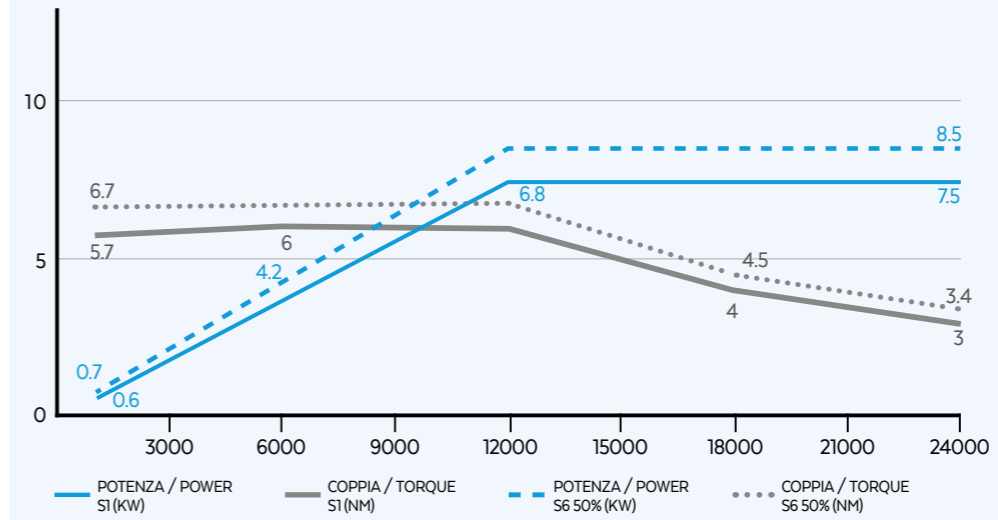
# MULTITECH MA/ML

SUITABLE FOR WORKING IN DUST ENVIRONMENTS AND FOR LATEST MATERIALS  
EASY ASSEMBLING ON 3-AXIS AND 5-AXIS APPLICATIONS  
HIGH EFFICIENCY COMPRESSED AIR COOLING  
LIQUID-COOLED SPINDLES ARE ALSO AVAILABLE TO BE USED FOR HEAVY  
AND INTENSIVE PROCESSES



## ML-1C 7.5/12 24

### PRESTAZIONI / PERFORMANCES



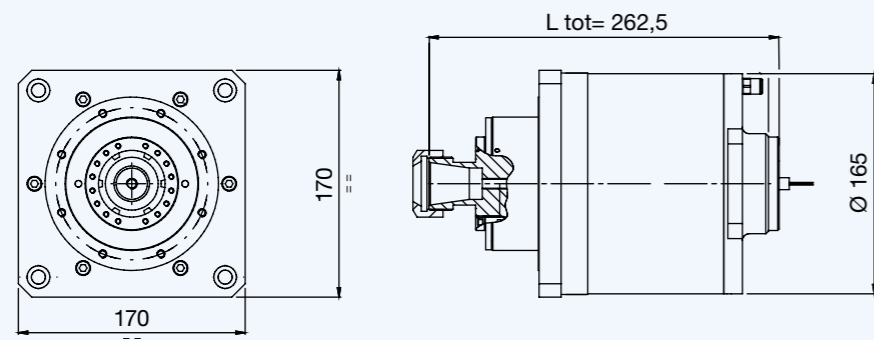
### SPECIFICHE TECNICHE / TECHNICAL SPECIFICATIONS

<b>S1-S6</b> <b>kW</b> 7.5/8.5	<b>S1-S6</b> <b>A</b> 16/17	<b>Pol</b> <b>es</b> 4
<b>S1-S6</b> <b>Nm</b> 6/6.8	<b>Volt</b> 380	<b>Supply</b> inverter
<b>rpm</b> 24000	<b>kg</b> 22	

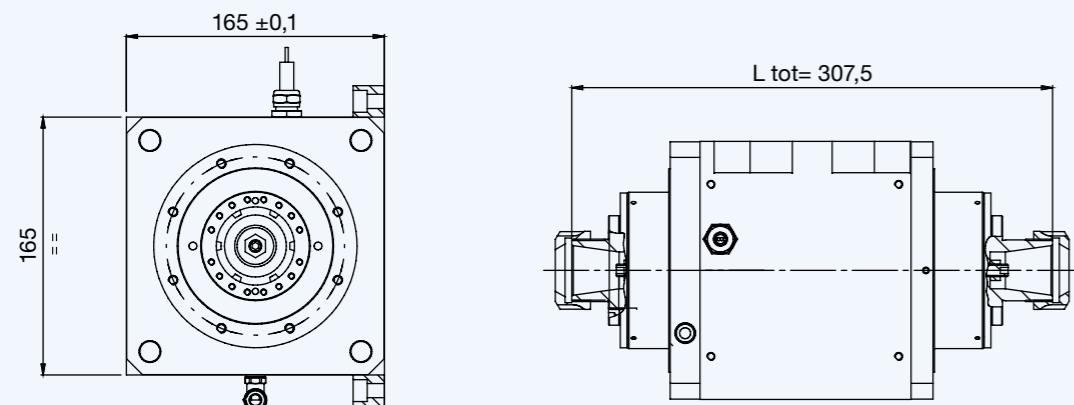
### EQUIPAGGIAMENTO / EQUIPMENT

Ceramic ball bearings	<b>COMPRESSED AIR</b> Pressed air cooling	Manual tool changer	Grease lubrication
ER 32 DX - ER 32DX/SX	Labyrinth with air seal		

## LAYOUT ER32

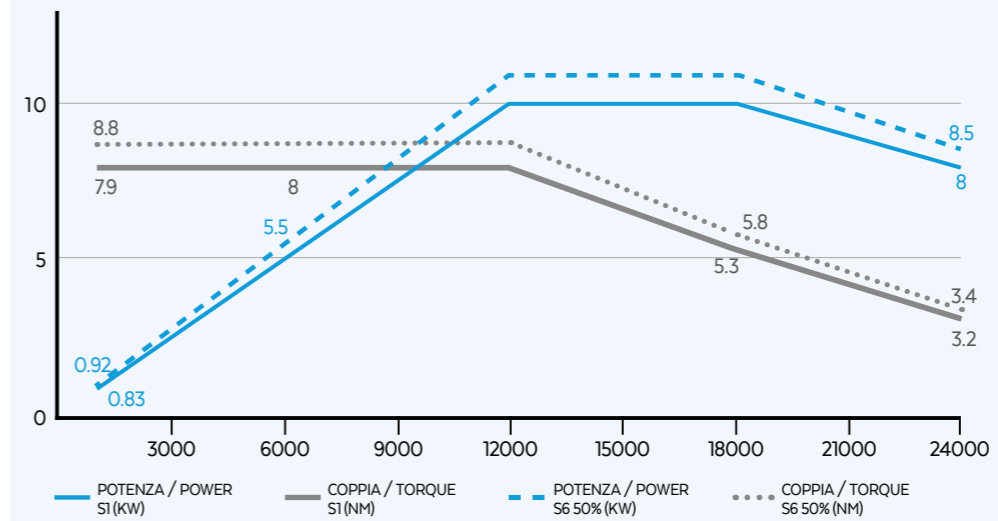


## LAYOUT ER 40 DX-SX



## ML-1C 10/12 24

### PRESTAZIONI / PERFORMANCES



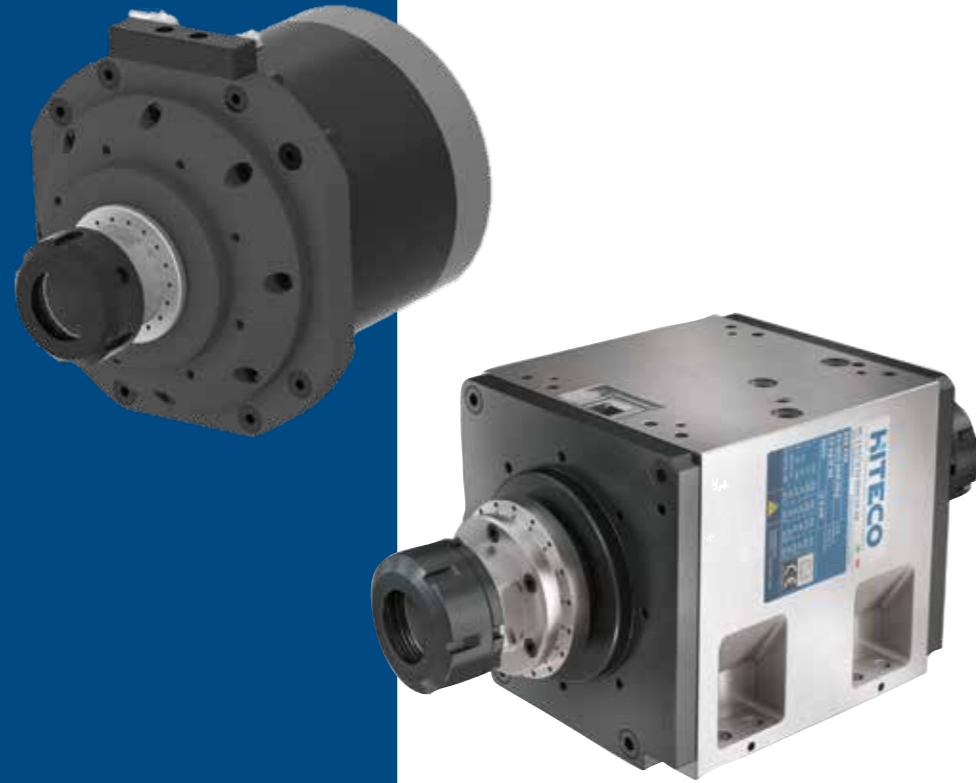
### SPECIFICHE TECNICHE / TECHNICAL SPECIFICATIONS

<b>S1-S6</b> <b>kW</b> 10/10.5	<b>S1-S6</b> <b>A</b> 21.3/22	<b>Pol</b> <b>es</b> 4
<b>S1-S6</b> <b>Nm</b> 8/8.8	<b>Volt</b> 380	<b>Supply</b> inverter
<b>rpm</b> 24000	<b>kg</b> 22	

### EQUIPAGGIAMENTO / EQUIPMENT

Ceramic ball bearings	<b>COMPRESSED AIR</b> Pressed air cooling	Manual tool changer	Grease lubrication
ER 32 DX - ER 32DX/SX	Labyrinth with air seal		

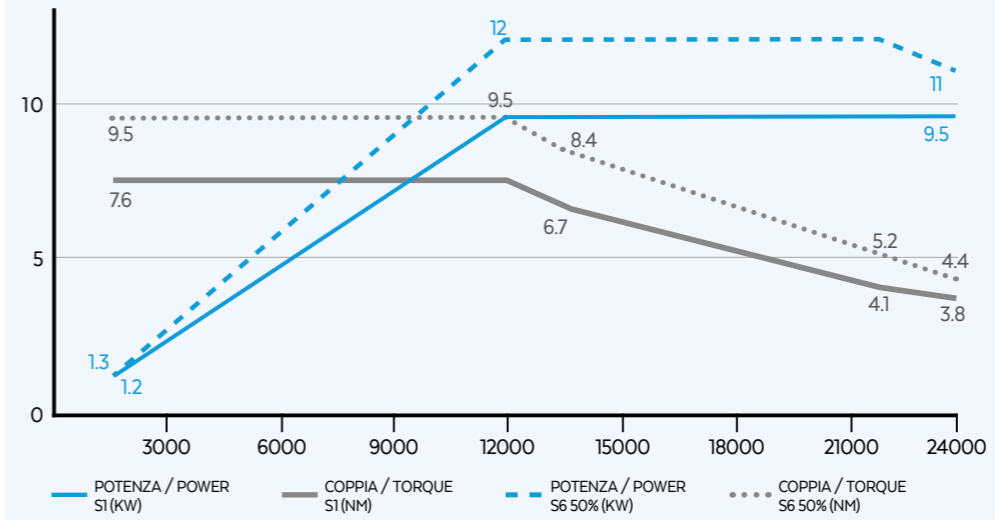
# MULTITECH MA/ML



SUITABLE FOR WORKING IN DUST ENVIRONMENTS AND FOR LATEST MATERIALS  
EASY ASSEMBLING ON 3-AXIS AND 5-AXIS APPLICATIONS  
HIGH EFFICIENCY COMPRESSED AIR COOLING  
LIQUID-COOLED SPINDLES ARE ALSO AVAILABLE TO BE USED FOR HEAVY  
AND INTENSIVE PROCESSES

## ML-2 9.5/12.24

### PRESTAZIONI / PERFORMANCES



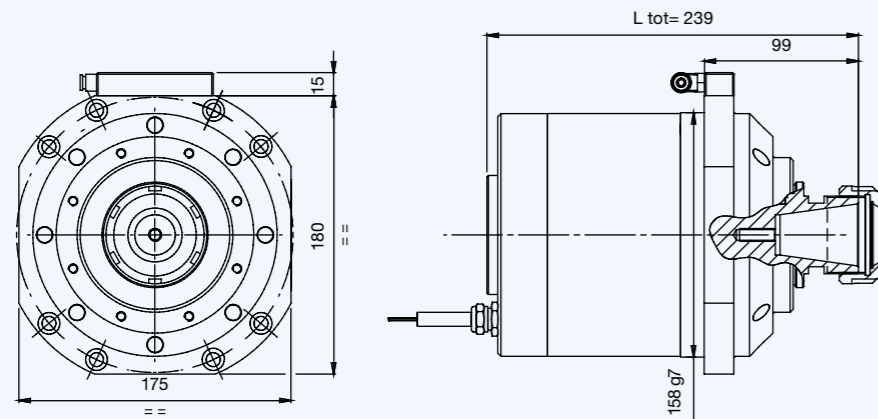
### SPECIFICHE TECNICHE / TECHNICAL SPECIFICATIONS

<b>S1-S6</b> <b>kW</b> 9.5/12	<b>S1-S6</b> <b>A</b> 22/27	<b>Pol</b> <b>es</b> 4
<b>S1-S6</b> <b>Nm</b> 7.6/9.5	<b>Volt</b> 380	<b>Supply</b> inverter
<b>rpm</b> 24000	<b>kg</b> 26	

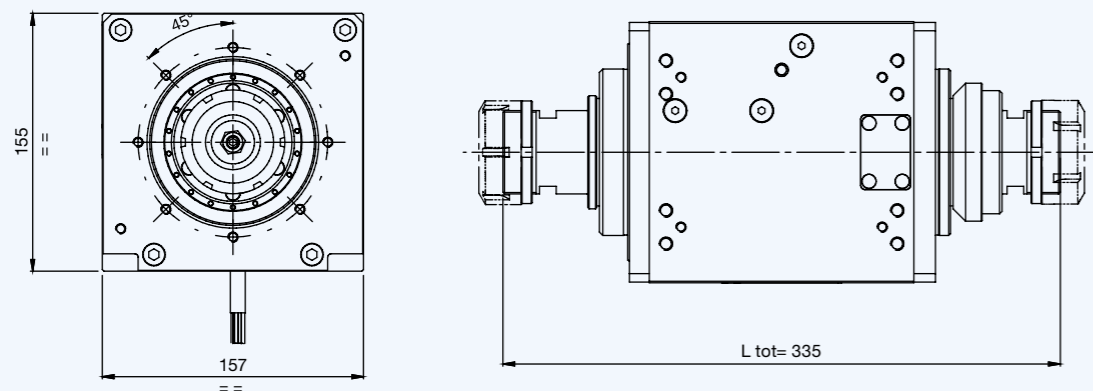
### EQUIPAGGIAMENTO / EQUIPMENT

- Ceramic ball bearings
- Liquid cooling
- Manual tool changer
- Grease lubrication
- ER 40DX-ER 40DX/SX
- Labyrinth with air seal

### LAYOUT ER 40DX



### LAYOUT ER 40 DX-SX

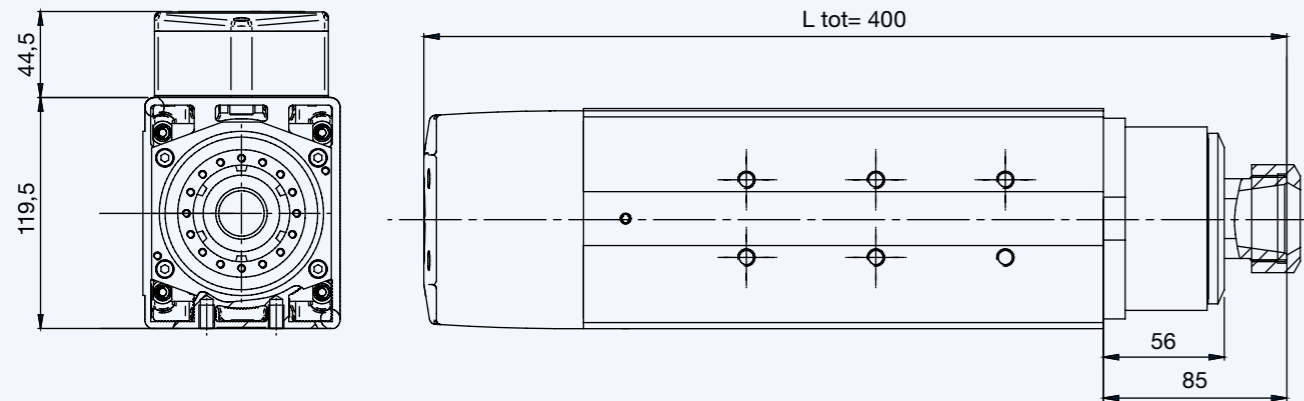


MULTITECH  
QN



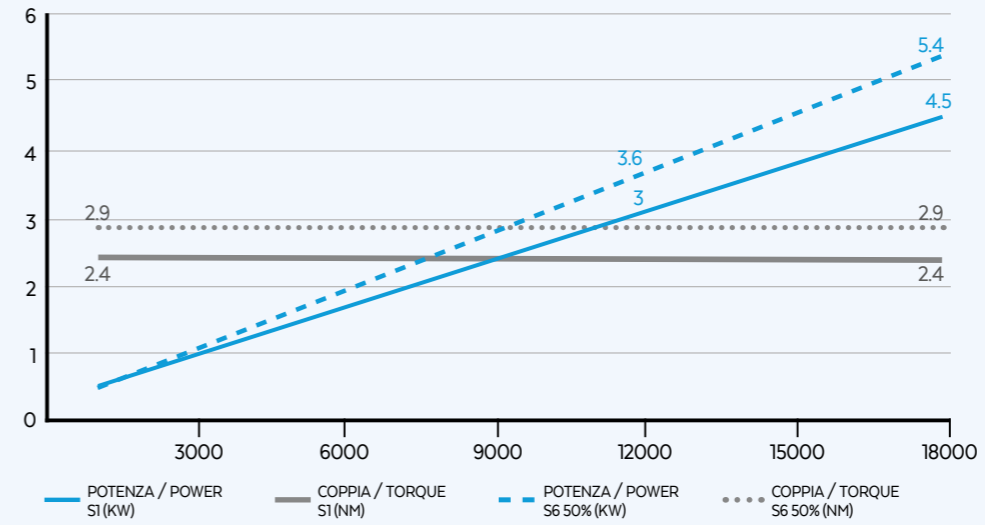
SUITABLE FOR PROCESSING WOOD AND ALUMINIUM  
THREE COOLING TYPES: FORCED, SERVO-VENTILATED AND COMPRESSED AIR  
VERSION WITH CERAMIC BEARINGS AVAILABLE

LAYOUT ER 32 DX



QN-1F 4.5/18 18

PRESTAZIONI / PERFORMANCES



OPZIONALI / OPTIONALS



SPECIFICHE TECNICHE / TECHNICAL SPECIFICATIONS

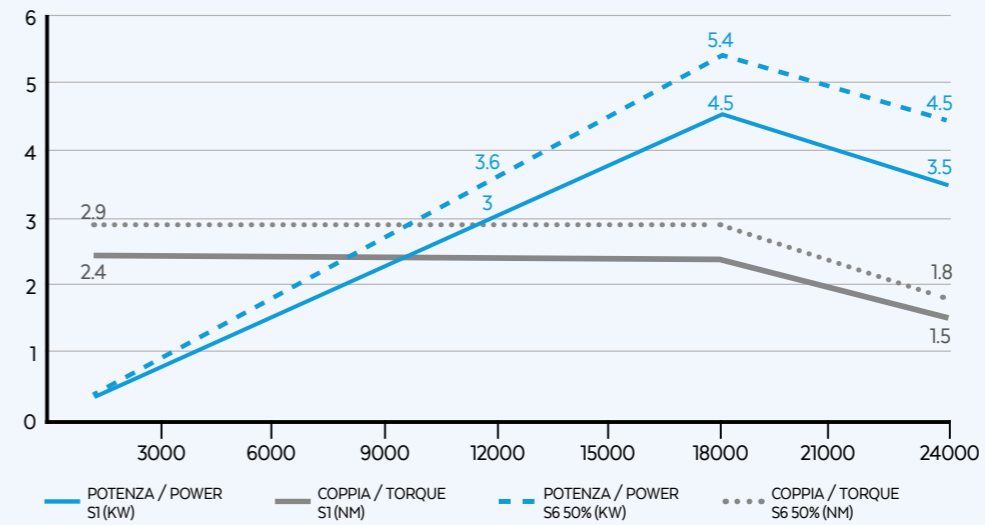
**S1-S6 kW** 4.5/5.4  
**S1-S6 Nm** 2.4/2.9  
**rpm** 18000  
**S1-S6 A** 9.5/12.8  
**Volt** 380  
**kg** 15  
**Pol es** 2  
**Supply** inverter

EQUIPAGGIAMENTO / EQUIPMENT

Steel bearings  
 Electrofan cooling  
 Manual tool changer  
 Grease lubrication  
 Circular male connector  
 ER32DX

QN-1F 4.5/18 24

PRESTAZIONI / PERFORMANCES



OPZIONALI / OPTIONALS



SPECIFICHE TECNICHE / TECHNICAL SPECIFICATIONS

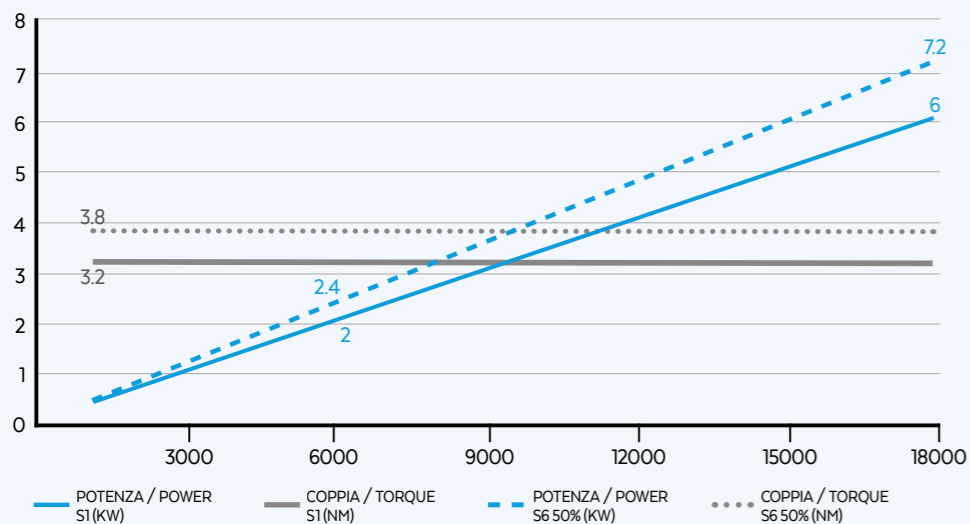
**S1-S6 kW** 4.5/5.4  
**S1-S6 Nm** 2.4/2.9  
**rpm** 24000  
**S1-S6 A** 9.5/15  
**Volt** 380  
**kg** 15  
**Pol es** 2  
**Supply** inverter

EQUIPAGGIAMENTO / EQUIPMENT

Ceramic ball bearings  
 Electrofan cooling  
 Manual tool changer  
 Grease lubrication  
 Circular male connector  
 ER32DX

QN-1F 6/18 18

PRESTAZIONI / PERFORMANCES



OPZIONALI / OPTIONALS



SPECIFICHE TECNICHE / TECHNICAL SPECIFICATIONS

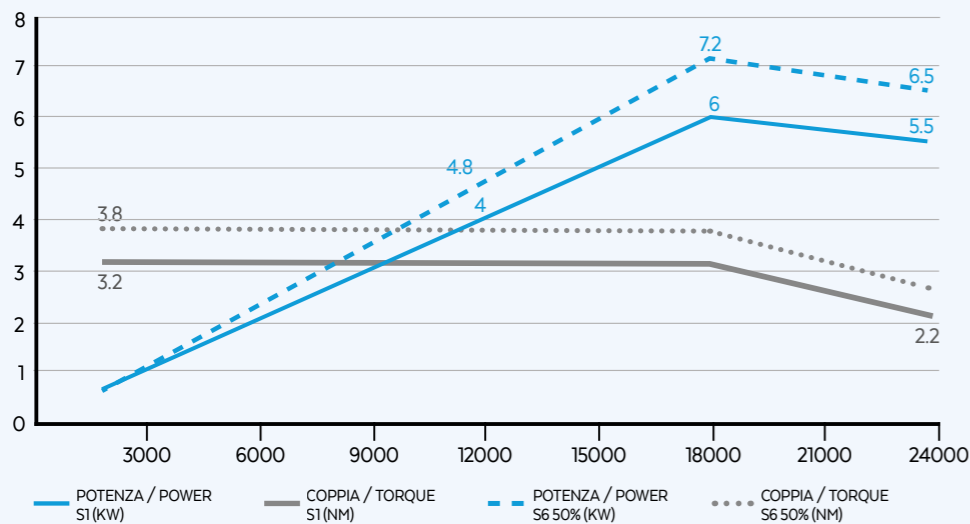
**S1-S6 kW** 6/7.2  
**S1-S6 A** 12.5/15.3  
**Pol es** 2  
**S1-S6 Nm** 3.2/3.8  
**Volt** 380  
**Supply** inverter  
**rpm** 18000  
**kg** 15

EQUIPAGGIAMENTO / EQUIPMENT

Steel bearings  
 Electrofan cooling  
 Manual tool changer  
 Grease lubrication  
 Circular male connector  
 ER32DX

QN-1F 6/18 24

PRESTAZIONI / PERFORMANCES



OPZIONALI / OPTIONALS

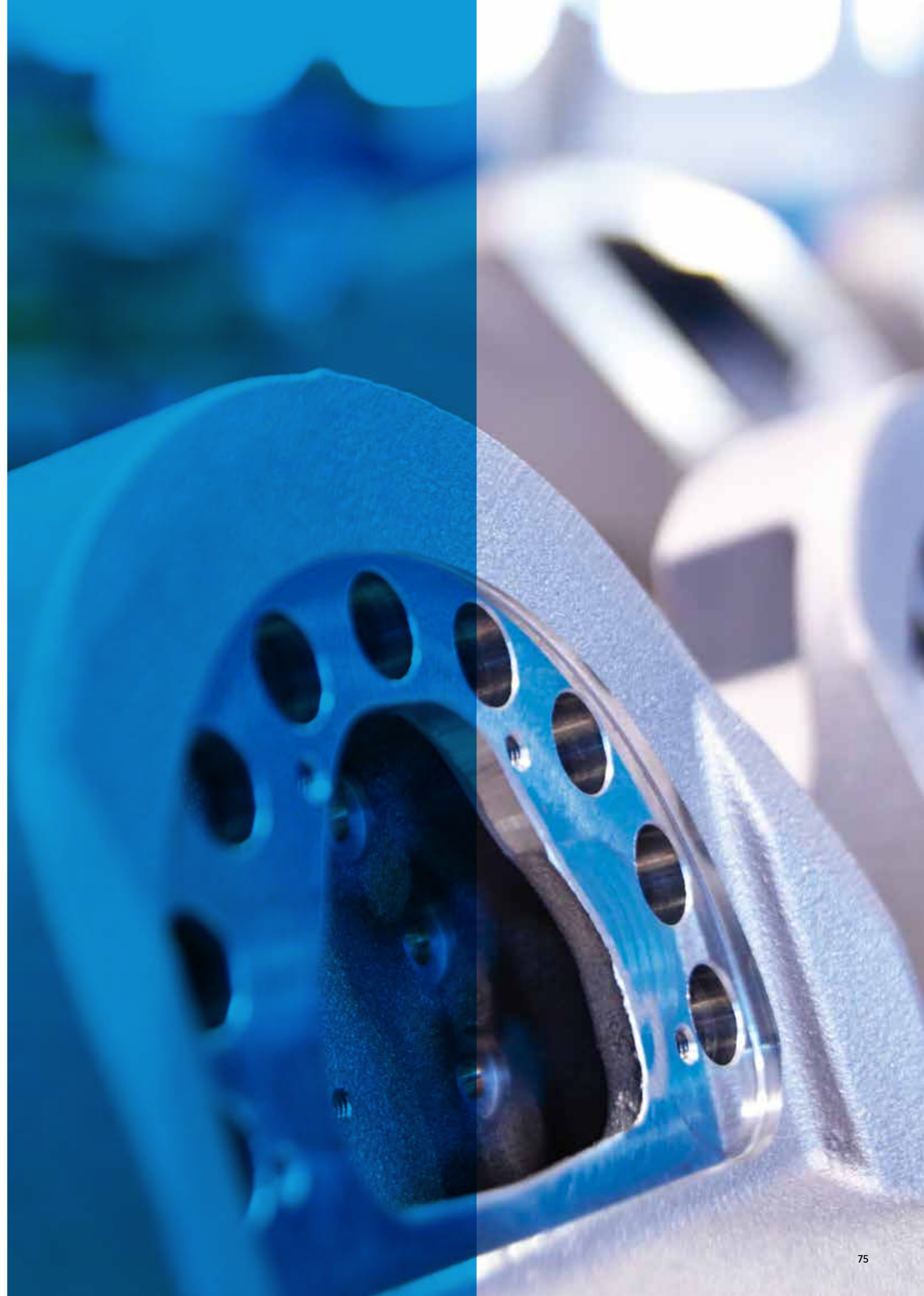


SPECIFICHE TECNICHE / TECHNICAL SPECIFICATIONS

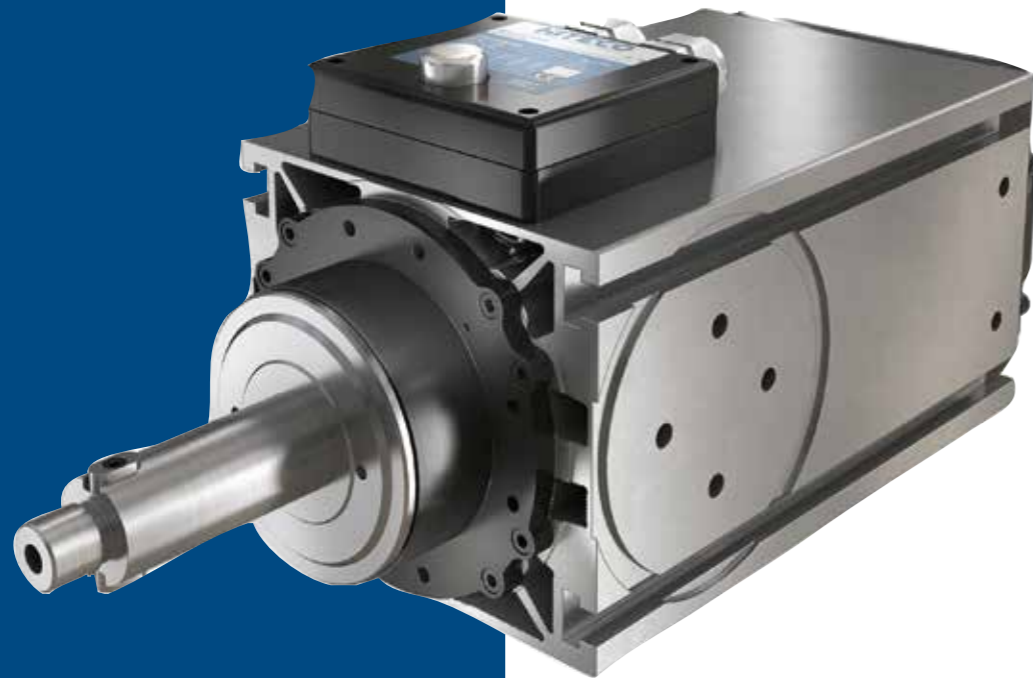
**S1-S6 kW** 6/7.2  
**S1-S6 A** 12.5/15.3  
**Pol es** 2  
**S1-S6 Nm** 3.2/3.8  
**Volt** 380  
**Supply** inverter  
**rpm** 24000  
**kg** 15

EQUIPAGGIAMENTO / EQUIPMENT

Ceramic ball bearings  
 Electrofan cooling  
 Manual tool changer  
 Grease lubrication  
 Circular male connector  
 ER32DX

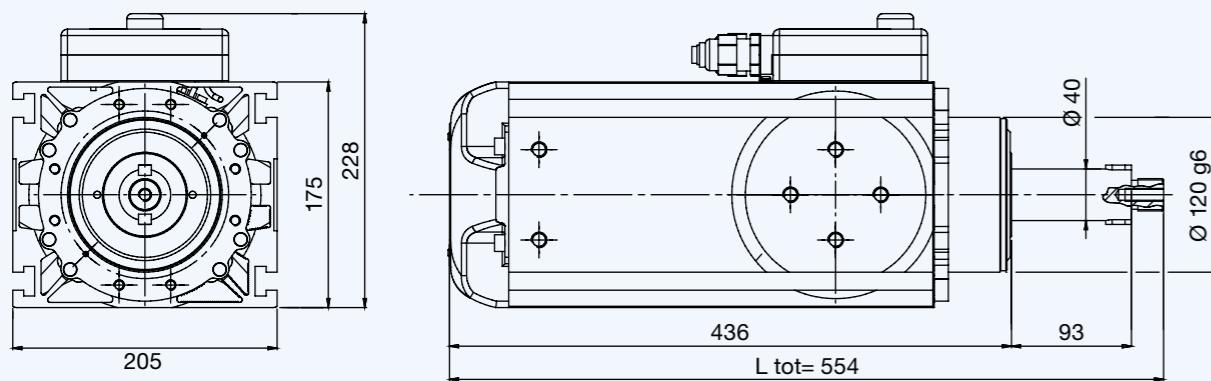


# MULTITECH MQH



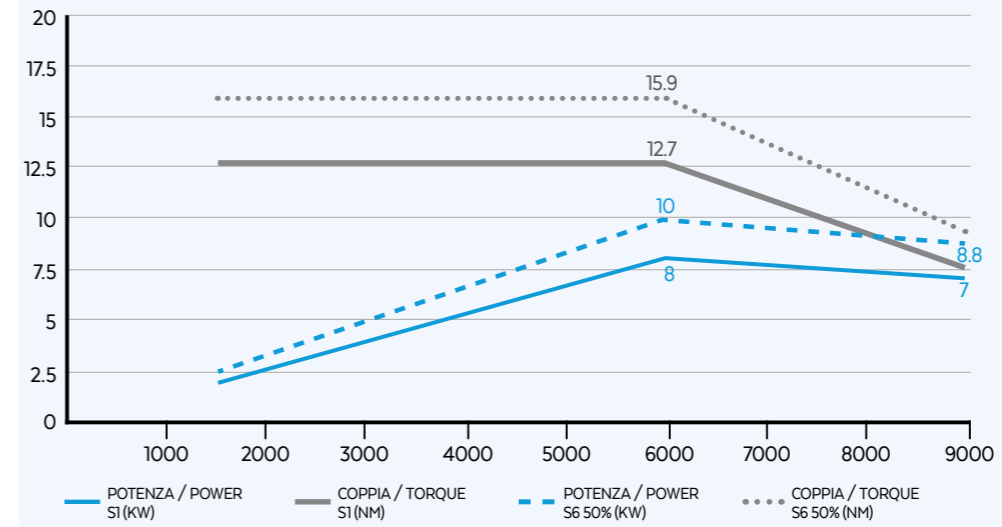
SUITABLE FOR PROCESSING WOOD  
WIDE RANGE OF POWERS  
SPINDLE ROTATION SENSOR

## LAYOUT D40



## MQH-18/6 9

### PRESTAZIONI / PERFORMANCES



### SPECIFICHE TECNICHE / TECHNICAL SPECIFICATIONS

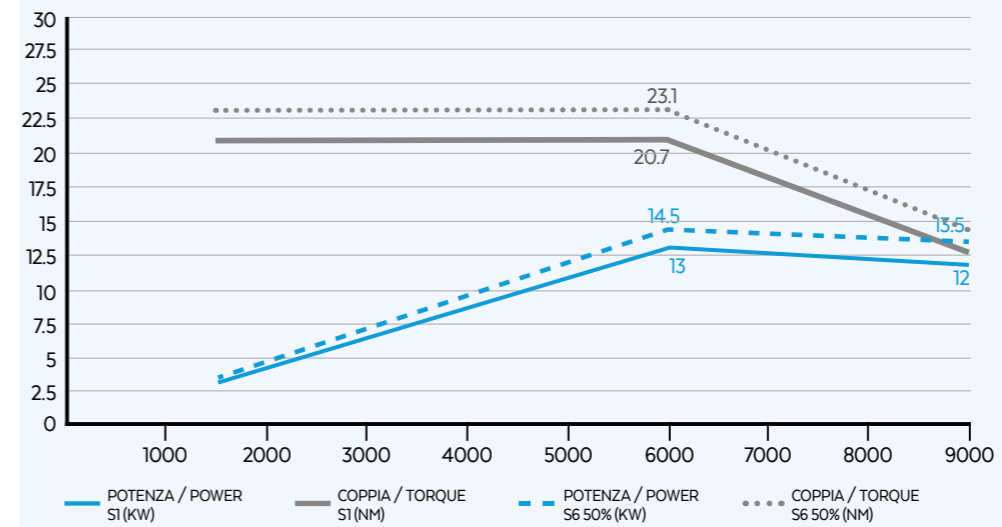
<b>S1-S6</b> <b>kW</b> 8/10	<b>S1-S6</b> <b>A</b> 15.8/18.7	<b>Pol</b> es 4
<b>S1-S6</b> <b>Nm</b> 12.7/15.9	<b>Volt</b> 380	<b>Sup</b> ply inverter
<b>rpm</b> 9000	<b>kg</b> 55	

### EQUIPAGGIAMENTO / EQUIPMENT

Shaft D40	Air fan shaft	Manual tool changer	Sensors s3
Steel bearings	Grease lubrication		

## MQH-113/6 9

### PRESTAZIONI / PERFORMANCES



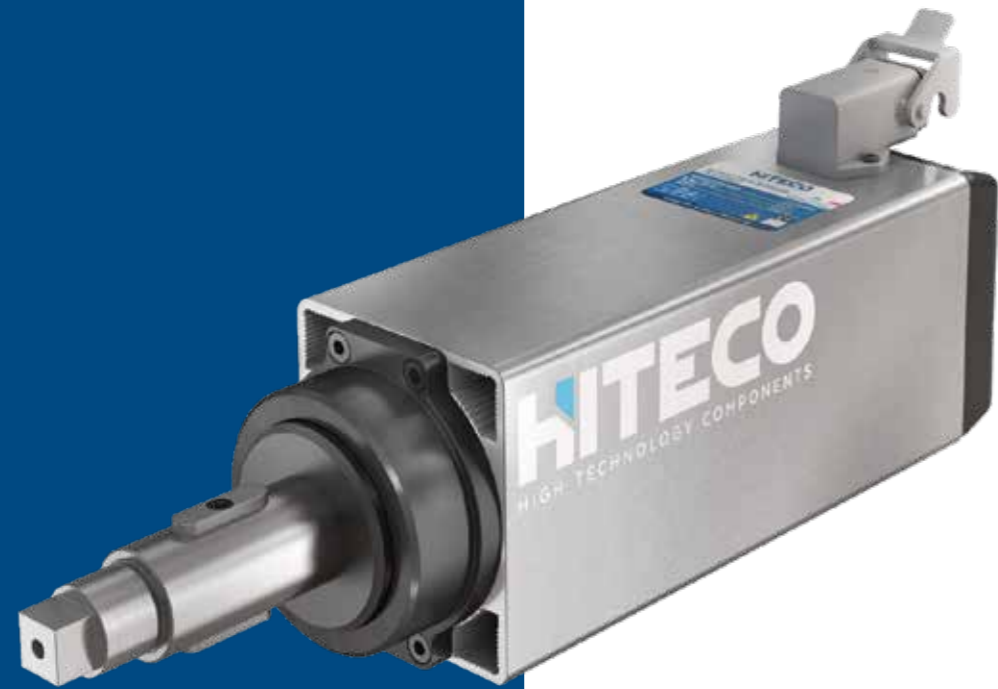
### SPECIFICHE TECNICHE / TECHNICAL SPECIFICATIONS

<b>S1-S6</b> <b>kW</b> 13/14.5	<b>S1-S6</b> <b>A</b> 25.8/30	<b>Pol</b> es 4
<b>S1-S6</b> <b>Nm</b> 20.7/22.7	<b>Volt</b> 380	<b>Sup</b> ply inverter
<b>rpm</b> 9000	<b>kg</b> 55	

### EQUIPAGGIAMENTO / EQUIPMENT

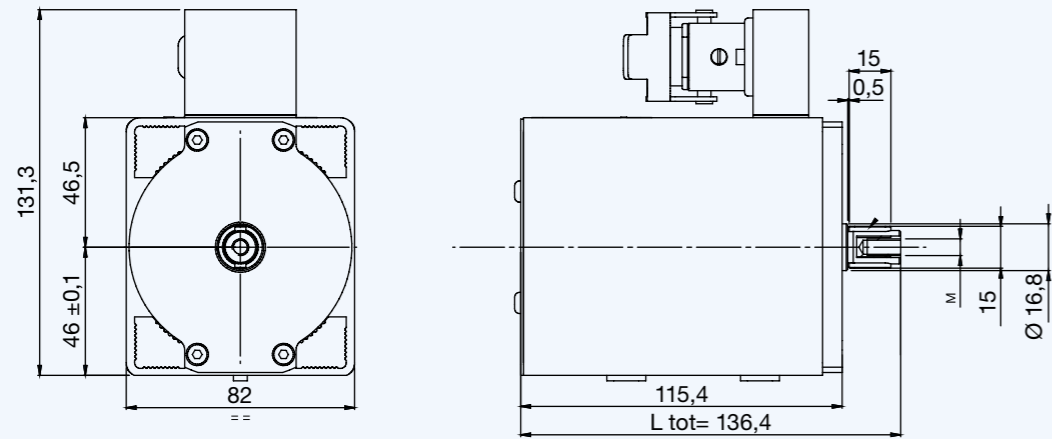
Shaft D40	Air fan shaft	Manual tool changer	Sensors s3
Steel bearings	Grease lubrication		

# MULTITECH S

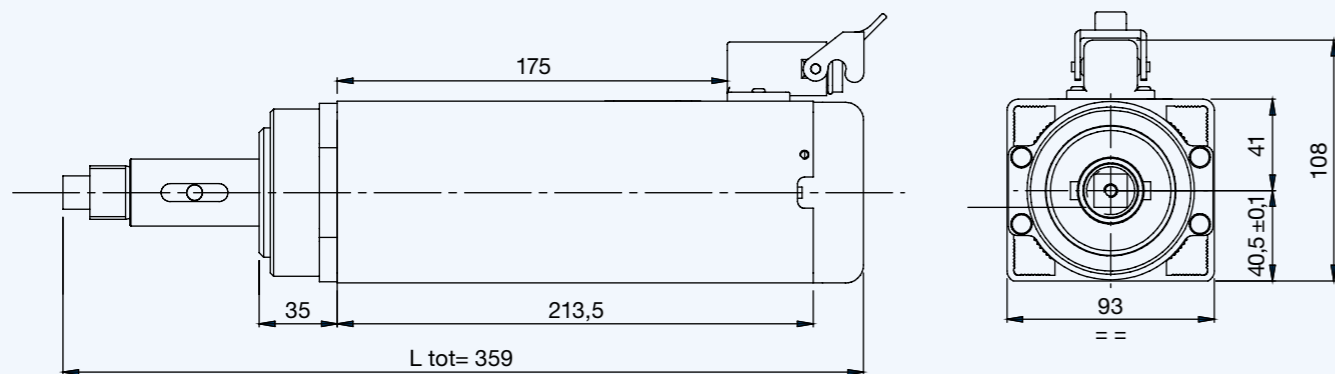


SUITABLE FOR PROCESSING WOOD  
EFFECTIVE COOLING AND LOW NOISE LEVEL

## LAYOUT D12 L19

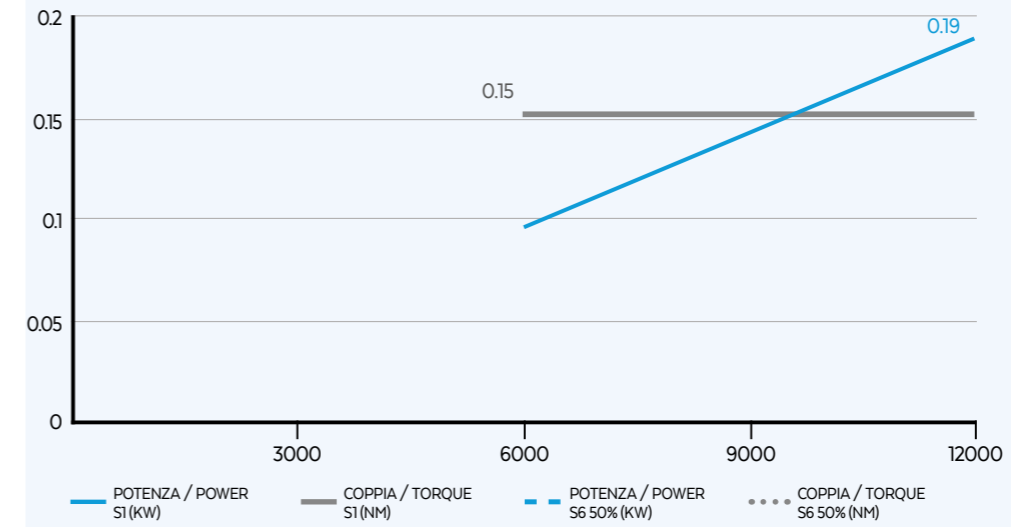


## LAYOUT D30 L58

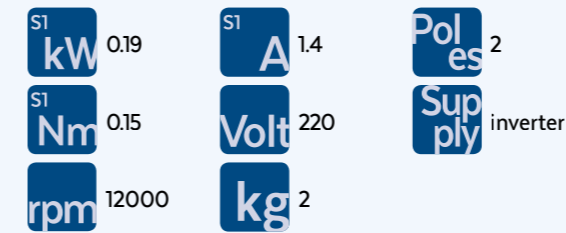


## S-1.0.19/12 12

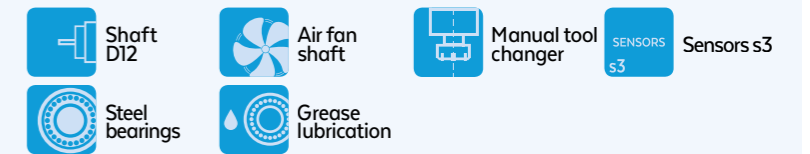
### PRESTAZIONI / PERFORMANCES



### SPECIFICHE TECNICHE / TECHNICAL SPECIFICATIONS

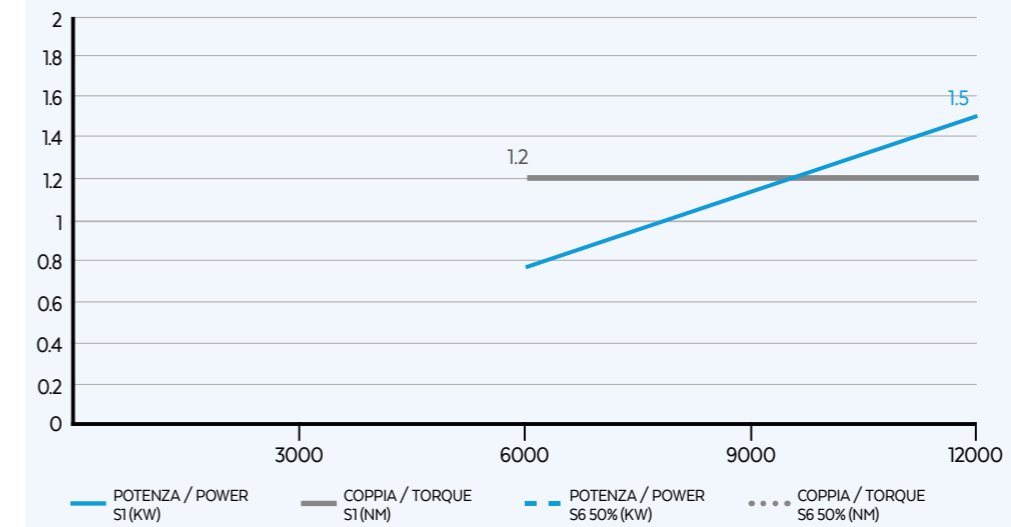


### EQUIPAGGIAMENTO / EQUIPMENT

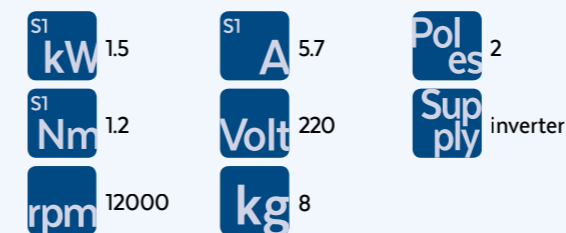


## S-1.1.5/12 12

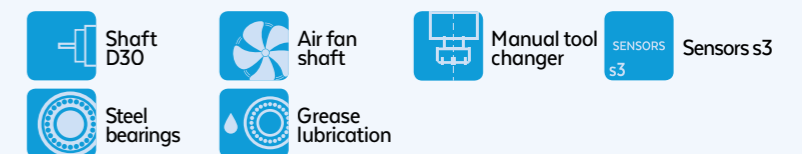
### PRESTAZIONI / PERFORMANCES



### SPECIFICHE TECNICHE / TECHNICAL SPECIFICATIONS

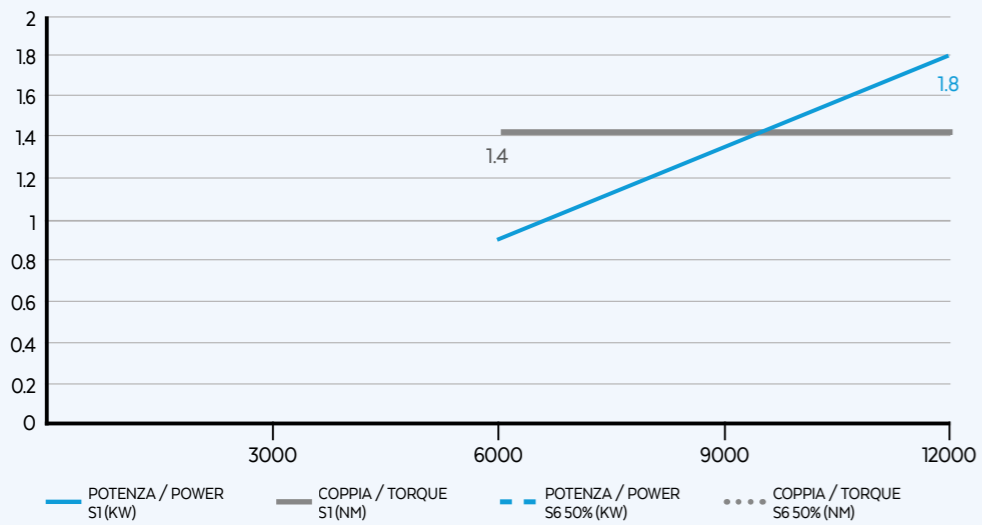


### EQUIPAGGIAMENTO / EQUIPMENT





PRESTAZIONI / PERFORMANCES



SPECIFICHE TECNICHE / TECHNICAL SPECIFICATIONS

- S1 kW** 1.8
- S1 A** 6.5
- Pol es** 2
- S1 Nm** 1.4
- Volt** 220
- Supply** inverter
- rpm** 12000
- kg** 8

EQUIPAGGIAMENTO / EQUIPMENT

- Shaft D30
- Air fan shaft
- Manual tool changer
- Sensors s3
- Steel bearings
- Grease lubrication

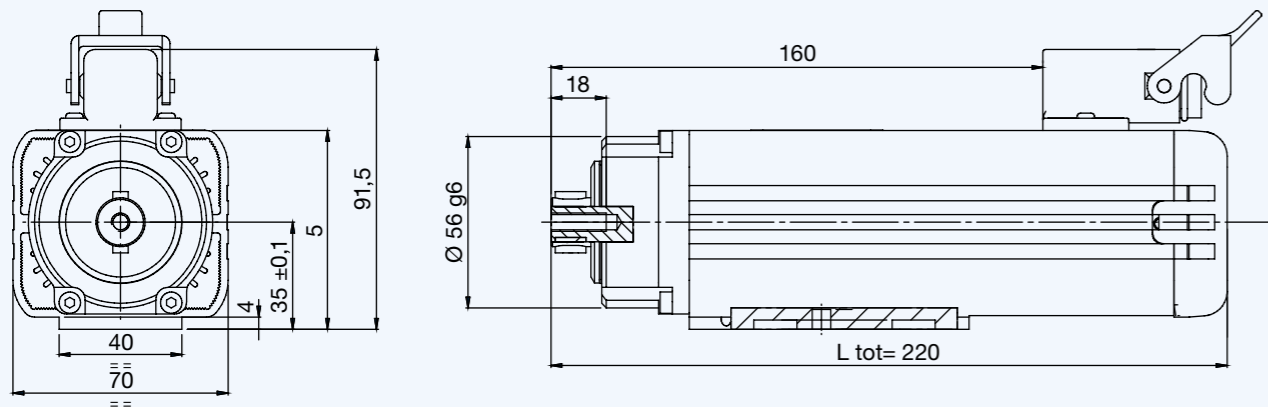


# MULTITECH XS



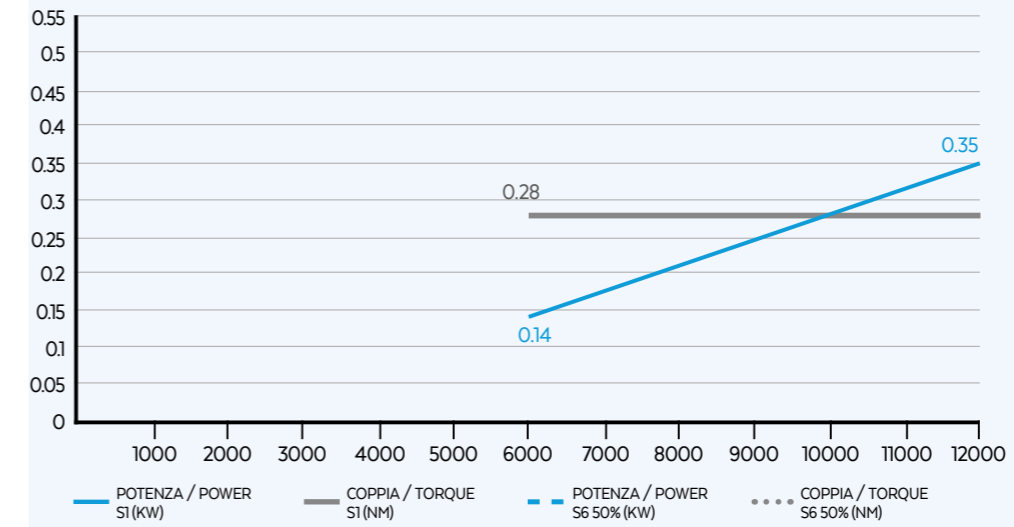
SUITABLE FOR PROCESSING WOOD  
EFFECTIVE COOLING AND LOW NOISE LEVEL

## LAYOUT D16 L13



### XS-1 0.35/12 12

#### PRESTAZIONI / PERFORMANCES



#### SPECIFICHE TECNICHE / TECHNICAL SPECIFICATIONS

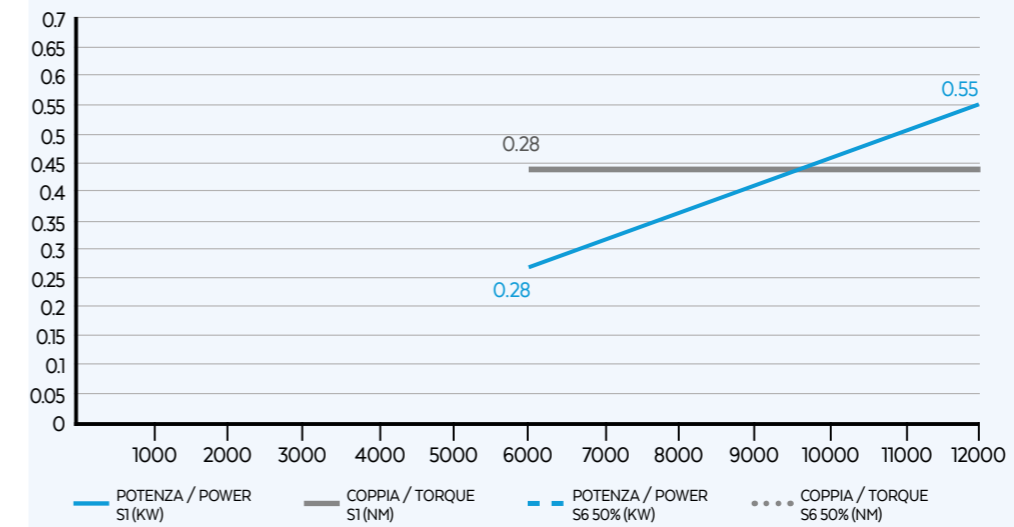
- Power: 0.35 kW
- Current: 1.8 A
- Poles: 2
- Voltage: 220 Volt
- Speed: 12000 rpm
- Weight: 2.7 kg
- Supply: inverter

#### EQUIPAGGIAMENTO / EQUIPMENT

- Shaft D16
- Air fan shaft
- Manual tool changer
- Sensors s3
- Steel bearings
- Grease lubrication

### XS-1 0.55/12 12

#### PRESTAZIONI / PERFORMANCES



#### SPECIFICHE TECNICHE / TECHNICAL SPECIFICATIONS

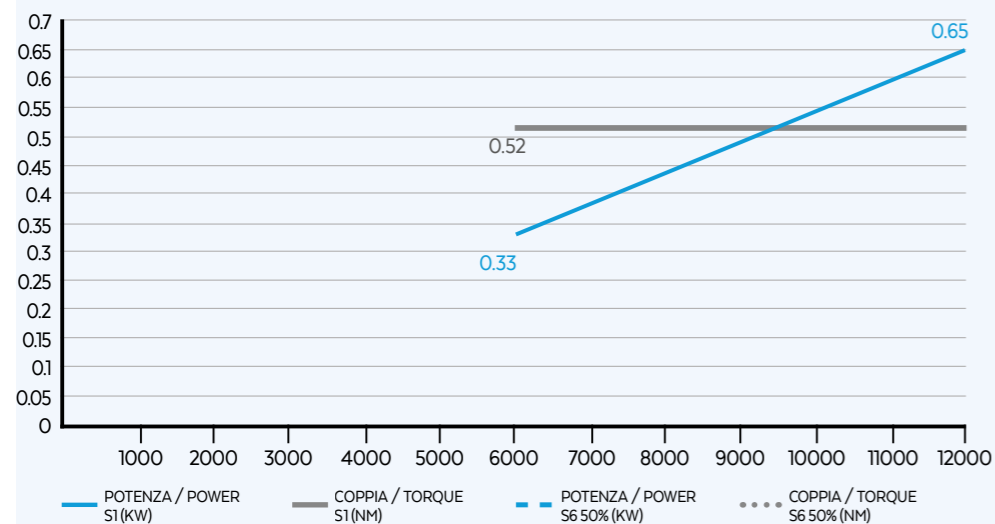
- Power: 0.55 kW
- Current: 2.7 A
- Poles: 2
- Voltage: 220 Volt
- Speed: 12000 rpm
- Weight: 3.2 kg
- Supply: inverter

#### EQUIPAGGIAMENTO / EQUIPMENT

- Shaft D16
- Air fan shaft
- Manual tool changer
- Sensors s3
- Steel bearings
- Grease lubrication

XS-1 0.65/12 12

PRESTAZIONI / PERFORMANCES



SPECIFICHE TECNICHE / TECHNICAL SPECIFICATIONS

**S1 kW** 0.65    **S1 A** 3    **Pol es** 2  
**S1 Nm** 0.52    **Volt** 220    **Supply** inverter  
**rpm** 12000    **kg** 3.3

EQUIPAGGIAMENTO / EQUIPMENT

**Shaft D16**    **Air fan shaft**    **Manual tool changer**    **SENSORS s3**    **Sensors s3**  
**Steel bearings**    **Grease lubrication**



## C-AXIS FOR POWERTECH 300-400



Compass Naso corto (NC) con 3 utenze pneumatiche, con servomotore Yaskawa  
Compass Short Nose (NC) with 3 pneumatic supplies, with Yaskawa servomotor

Compass Naso lungo (NL) con 3 utenze pneumatiche, con servomotore Yaskawa  
Compass Long Nose (NL) with 3 pneumatic supplies with Yaskawa servomotor

### OPZIONALI / OPTIONALS

Disponibile senza servomotore  
Available without servomotor

## CONO PORTA UTENSILE TOOL HOLDER



Tool holder  
Cono porta utensile HSK63F ER 32 M40X1.5\_DX

Tool holder  
Cono porta utensile ISO30 ER 32 M40X1.5\_DX

Per altre tipologie di pinze porta utensile, contatta lo staff Hiteco  
For other tool finger size, contact Hiteco staff

## PINZA PORTA UTENSILE TOOL FINGER

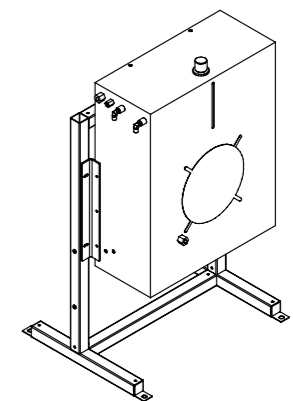


Tool finger  
Pinza porta utensile HSK 63F

Tool finger  
Pinza porta utensile ISO 30

Per altre tipologie di pinze porta utensile, contatta lo staff Hiteco  
For other tool finger size, contact Hiteco staff

## SCAMBIATORE DI CALORE HEAT EXCHANGER



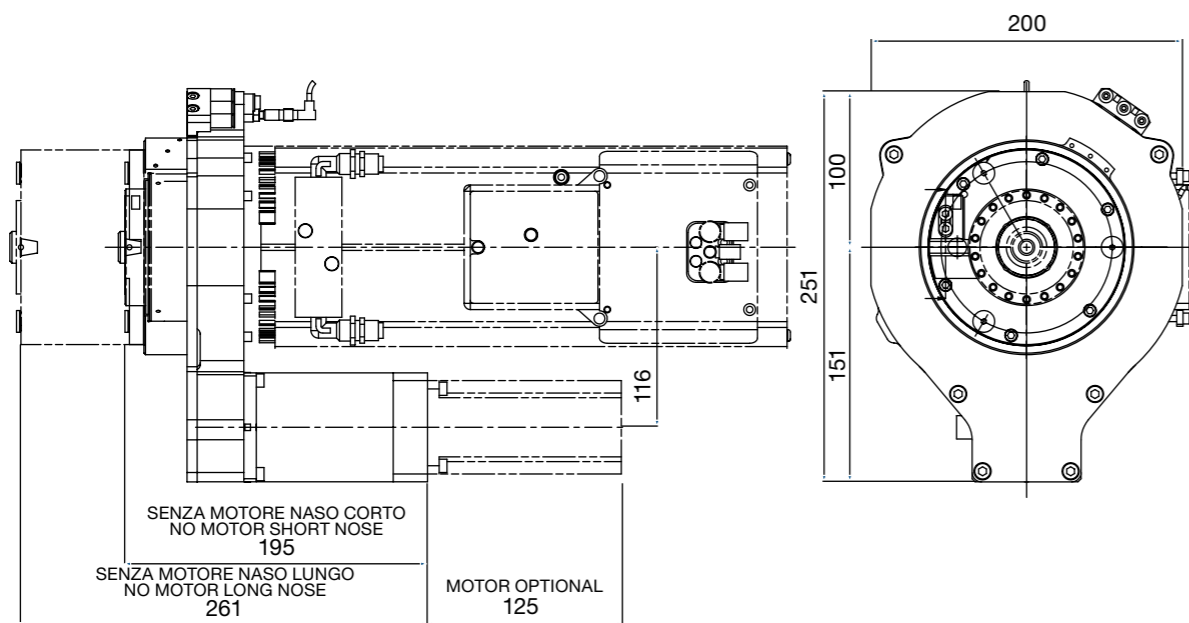
Potenza di raffreddamento  
Cooling power 5000 W with liquid temperature +40°, air temperature +20°C

Portata liquido  
Liquid flow 4 lt/min at 5,5 bar

Capacità serbatoio  
Tank capacity 5 lt

### OPZIONALI / OPTIONALS

Disponibile versione senza supporto e tubi flessibili  
Available without support and flexible hoses



## RIFERIMENTO TESTINE REFERENCE SLEEVE



Riferimento testine per PT200: 2 posizioni, senza utenze pneumatiche  
Reference sleeve for PT200: 2 positions, without pneumatic supplies

Riferimento testine per PT250: 2 posizioni, con o senza utenze pneumatiche  
Reference sleeve for PT250: 2 positions, with or without pneumatic supplies

Riferimento testine per PT300-400: 2 posizioni, disponibile in versione Naso corto e Naso lungo (NC e NL), con e senza utenze pneumatiche  
Reference sleeve for PT300-400: 2 positions, available for Short and Long nose (NC and NL), with or without pneumatic supplies

Riferimento testine per mandrini 5 assi (con 1 utenza pneumatica)  
Reference sleeve for 5-axis spindles (with pneumatic supply)



ss 258 Marecchia, 34 47826 Villa Verucchio, Rimini - Italia  
tel. +39.0541.674940 - fax +39.0541.674962  
[www.hiteco.net](http://www.hiteco.net)